

PrimaVision Compact for CDM

HID-PV C 50 /S CDM 220-240V 50/60Hz

High-quality, compact and lightweight HID electronic gear for optimal and reliable performance of 20, 35, 50 and 70 W CDM lamps

Product data

| General Information | |
|--|--------------|
| Lamp Type | CDM |
| Number of Lamps | 1 piece/unit |
| Suitable For Outdoor Use | No |
| Number of Products on MCB (16A Type B) (Nom) | 24 |
| Automatic Restart | Yes |
| Operating and Electrical | |
| Input Voltage | 220 to 240 V |
| Input Frequency | 50 to 60 Hz |
| Operating Frequency (Nom) | 0.14 kHz |
| Power Factor 100% Load (Nom) | 0.95 |
| Ignition Voltage (Max) | 4.0 kV |
| Ignition Switch-Off Time (Nom) | 18 min |
| Mains Voltage Performance (AC) | -10%~+6% |
| Mains Voltage Safety (AC) | -18%~+10% |
| Earth Leakage Current (Max) | 0.25 mA |
| Inrush Current Width | 0.25 ms |
| Constant Wattage Deviation | -3%/+3% |
| Power Losses (Nom) | 6 W |

| Inrush Current Peak (Max) | 26 A |
|--|---------------------------|
| Wiring | |
| Cable Capacity Output Wires Mutual (Nom) | 150 pF |
| Cable Length From Device to Lamp | 1.5 m |
| Wire Striplength | 10.0-11.0 mm |
| Ballast Contact Wire Cross Section | 0.50-2.50 mm ² |
| Connector Type | Insert |

| System characteristics | |
|--------------------------|--------|
| Rated Ballast-Lamp Power | 50 W |
| Temperature | |
| T-Ambient (Max) | 55 °C |
| T-Ambient (Min) | -20 °C |
| T-Storage (Max) | 80 °C |
| T-Storage (Min) | -25 °C |
| T-Case Lifetime (Nom) | 80 °C |
| T-Case Maximum (Max) | 80 °C |

PrimaVision Compact for CDM

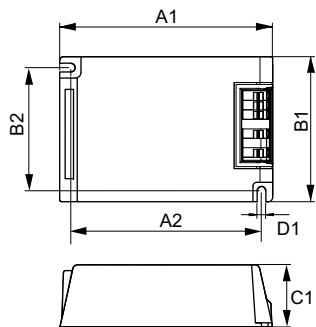
| Mechanical and Housing | |
|------------------------|----|
| Housing | /S |

| Approval and Application | |
|------------------------------------|-----------------|
| IP Classification | 20 |
| Active Temperature Protection | Yes |
| EMI 9 kHz ... 300 MHz | CISPR 15 ed 7.2 |
| Safety Standard | IEC 61347-2-3 |
| Quality Standard | ISO 9000:2000 |
| Environmental Standard | ISO 14001 |
| Harmonic Current Emission Standard | IEC 61000-3-2 |
| EMC Immunity Standard | IEC 61547 |
| Vibration Standard | IEC68-2-6 F c |
| Bumps Standard | IEC 68-2-29 Eb |
| Humidity Standard | IEC 928-13 |

| | |
|---------------------|-----------------------------|
| Approval Marks | CE marking ENEC certificate |
| Hum And Noise Level | 37 dB(A) |

| Product Data | |
|---------------------------------|-------------------------------------|
| Full product code | 872790093363500 |
| Order product name | HID-PV C 50 /S CDM 220-240V 50/60Hz |
| EAN/UPC - Product | 8727900933635 |
| Order code | 93363500 |
| Numerator - Quantity Per Pack | 1 |
| Numerator - Packs per outer box | 12 |
| Material Nr. (12NC) | 913700664966 |
| Net Weight (Piece) | 0.240 kg |

Dimensional drawing



HID-PV C 50 /S CDM 220-240V 50/60Hz

| Product | D1 | C1 | A1 | A2 | B1 |
|-------------------------------------|--------|---------|----------|---------|---------|
| HID-PV C 50 /S CDM 220-240V 50/60Hz | 4.9 mm | 32.2 mm | 109.6 mm | 98.5 mm | 74.4 mm |

