

PrimaVision Compact for CDM

HID-PV C 50 /S CDM 220-240V 50/60Hz

High-quality, compact and lightweight HID electronic gear for optimal and reliable performance of 20, 35, 50 and 70 W CDM lamps

Product data

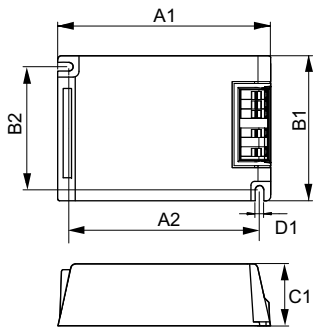
General Information		Inrush current peak (max.)	
Lamp type	CDM		26 A
Number of lamps	1 piece/unit	Wiring	
Suitable for outdoor use	No	Cable capacity output wires mutual (nom.)	150 pF
Number of products on MCB (16 A type B) (nom.)	24	Cable length from device to lamp	1.5 m
Automatic restart	Yes	Wire strip length	10.0-11.0 mm
Operating and Electrical		Ballast contact wire cross section	0.50-2.50 mm ²
Input voltage	220 to 240 V	Connector type	Insert
Input frequency	50 to 60 Hz	System characteristics	
Operating frequency (nom.)	0.14 kHz	Rated ballast-lamp power	50 W
Power factor 100% load (nom.)	0.95	Temperature	
Ignition voltage (max.)	4.0 kV	T ambient (max.)	55 °C
Ignition switch-off time (nom.)	18 min	T ambient (min.)	-20 °C
Mains voltage performance (AC)	-10% - +6%	T storage (max.)	80 °C
Mains voltage safety (AC)	-18% - +10%	T storage (min.)	-25 °C
Earth leakage current (max.)	0.25 mA	T case lifetime (nom.)	80 °C
Inrush current width	0.25 ms	T-Case maximum (max.)	80 °C
Constant wattage deviation	-3% / +3%		
Power losses (nom.)	6 W		

PrimaVision Compact for CDM

Mechanical and Housing	
Housing	/S
Approval and Application	
IP classification	20
Active temperature protection	Yes
EMI 9 kHz... 300 MHz	CISPR 15 ed 7.2
Safety standard	IEC 61347-2-3
Quality standard	ISO 9000:2000
Environmental standard	ISO 14001
Harmonic current emission standard	IEC 61000-3-2
EMC immunity standard	IEC 61547
Vibration standard	IEC68-2-6 F c
Bumps standard	IEC 68-2-29 Eb
Humidity standard	IEC 928-13
Approval marks	CE marking ENEC certificate

Humming and noise level	37 dB(A)
Product Data	
Full product code	872790093363500
Order product name	HID-PV C 50 /S CDM 220-240V 50/60Hz
EAN/UPC – product	8727900933635
Order code	93363500
Local Code	PVC050SCDM
Numerator – quantity per pack	1
Numerator – packs per outer box	12
Material no. (12NC)	913700664966
Net weight (piece)	0.240 kg

Dimensional drawing



HID-PV C 50 /S CDM 220-240V 50/60Hz

Product	D1	C1	A1	A2	B1
HID-PV C 50 /S CDM 220-240V 50/60Hz	4.9 mm	32.2 mm	109.6 mm	98.5 mm	74.4 mm

