

# PrimaVision Compact for CDM

## HID-PV C 50 /I CDM 220-240V 50/60Hz

High-quality, compact and lightweight HID electronic gear for optimal and reliable performance of 20, 35, 50 and 70 W CDM lamps

### Product data

General Information	
Lamp Type	CDM
Number of Lamps	1 piece/unit
Suitable For Outdoor Use	No
Number of Products on MCB (16A Type B) (Nom)	24
Automatic Restart	Yes
Operating and Electrical	
Input Voltage	220 to 240 V
Input Frequency	50 to 60 Hz
Operating Frequency (Nom)	0.14 kHz
Power Factor 100% Load (Nom)	0.95
Ignition Voltage (Max)	4.0 kV
Ignition Switch-Off Time (Nom)	18 min
Mains Voltage Performance (AC)	-10%~+6%
Mains Voltage Safety (AC)	-18%~+10%
Earth Leakage Current (Max)	0.25 mA
Inrush Current Width	0.25 ms
Constant Wattage Deviation	-3%/+3%
Power Losses (Nom)	6 W

Inrush Current Peak (Max)	26 A
Wiring	
Cable Capacity Output Wires Mutual (Nom)	150 pF
Cable Length From Device to Lamp	2.0 m
Wire Striplength	10.0-11.0 mm
Ballast Contact Wire Cross Section	0.50-2.50 mm <sup>2</sup>
Connector Type	Insert

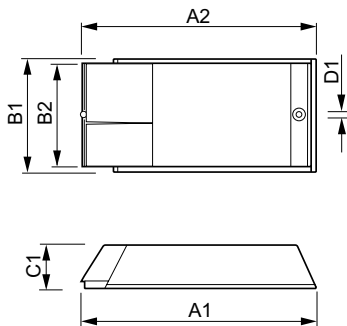
System characteristics	
Rated Ballast-Lamp Power	50 W
Temperature	
T-Ambient (Max)	50 °C
T-Ambient (Min)	-20 °C
T-Storage (Max)	75 °C
T-Storage (Min)	-25 °C
T-Case Lifetime (Nom)	75 °C
T-Case Maximum (Max)	75 °C

# PrimaVision Compact for CDM

Mechanical and Housing	
Housing	/I
Approval and Application	
IP Classification	20
Active Temperature Protection	Yes
EMI 9 kHz ... 300 MHz	CISPR 15 ed 7.2
Safety Standard	IEC 61347-2-3
Quality Standard	ISO 9000:2000
Environmental Standard	ISO 14001
Harmonic Current Emission Standard	IEC 61000-3-2
EMC Immunity Standard	IEC 61547
Vibration Standard	IEC68-2-6 F c
Bumps Standard	IEC 68-2-29 Eb
Humidity Standard	IEC 928-13
Approval Marks	CE marking ENEC certificate

Temperature Marking	F
Hum And Noise Level	37 dB(A)
Product Data	
Full product code	872790093365900
Order product name	HID-PV C 50 /I CDM 220-240V 50/60Hz
EAN/UPC - Product	8727900933659
Order code	93365900
Numerator - Quantity Per Pack	1
Numerator - Packs per outer box	12
Material Nr. (12NC)	913700665166
Net Weight (Piece)	0.360 kg

## Dimensional drawing



HID-PV C 50 /I CDM 220-240V 50/60Hz

Product	D1	C1	A1	A2	B1
HID-PV C 50 /I CDM 220-240V 50/60Hz	4.8 mm	34.5 mm	188.0 mm	170.0 mm	82.7 mm

