

HID ignitors for series systems

SU38-S 220-240V 50/60Hz

Electronic ignitors for HID lamps

Product data

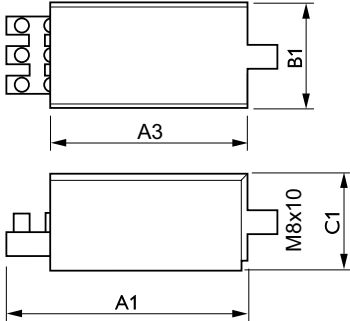
General Information	
Application Code	38-S
Lamp Type	SON/CDO
Number of Lamps	1 piece/unit
Operating and Electrical	
Input Voltage	220 to 240 V
Input Frequency	50 to 60 Hz
Igniton Type	Serie
Number of Ignition Pulses	2
Ignition Voltage (Max)	5.00 kV
Ignition Voltage (Min)	4.00 kV
Response Voltage	198 V
Mains Voltage Performance (AC)	-8% - +6%
Mains Voltage Safety (AC)	-10% - +10%
Power Losses (Nom)	4.0 W
Wiring	
Wire Striplength	6.0 mm
Ballast Contact Wire Cross Section	4 mm ²
Connector Type	Screw

System characteristics	
Rated Ballast-Lamp Power	100-400 W
Temperature	
T-Ambient (Max)	55 °C
T-Ambient (Min)	-30 °C
T-Storage (Max)	80 °C
T-Storage (Min)	-25 °C
T-Case Maximum (Max)	95 °C
Mechanical and Housing	
Housing	STUD-86
Approval and Application	
Approval Marks	CE marking
Product Data	
Full product code	871829115374000
Order product name	SU38-S 220-240V 50/60Hz
EAN/UPC - Product	8718291153740
Order code	15374000
Numerator - Quantity Per Pack	1
Numerator - Packs per outer box	30

HID ignitors for series systems

Material Nr. (12NC)	913700671791
Net Weight (Piece)	0.150 kg

Dimensional drawing



SU 38-S 220-240V 50/60Hz

Product	C1	A1	A3	B1
SU38-S 220-240V 50/60Hz	32.0 mm	78.0 mm	62.0 mm	36.0 mm

