



# PrimaVision Xtreme for CPO

## HID-PV Xt 210 CDMe/CPO C2 208-277V

Highly reliable electronic drivers for CPO lamps; designed to save energy by offering better light efficiency than magnetic drivers and to reduce maintenance costs thanks to 80,000-hour lifetime and integrated lightning protection

### Product data

General Information	
Lamp Type	CDMe/CPO
Number of Lamps	1 piece/unit
Suitable For Outdoor Use	Yes
Number of Products on MCB (16A Type B) (Nom)	13
Default Lamp Selected	CDMe210
Automatic Restart	Yes
Operating and Electrical	
Input Voltage	208-240-277 V
Input Frequency	50 to 60 Hz
Minimum Mains Voltage Operation (Min)	172 V
Operating Frequency (Nom)	0.20 kHz
Power Factor 100% Load (Nom)	0.99
Ignition Voltage (Max)	5 kV
Ignition Switch-Off Time (Nom)	20 min
Mains Voltage Performance (AC)	188-305V
Mains Voltage Safety (AC)	160-305V
Earth Leakage Current (Max)	0.7 mA
Output Peak Voltage (Max)	250 V

Inrush Current Width	4 ms
Lamp Power Tolerance	-3%/+3%
Input Current (Nom)	1.11 A
Inrush Current Peak (Max)	4 A

### Wiring

Cable Capacity Output Wires Mutual (Nom)	300 pF
Cable Length From Device to Lamp	3 m
Wire Striplength	10.0-11.0 mm
Ballast Contact Wire Cross Section	0.50-2.50 mm <sup>2</sup>
Connector Type	WAGO series 804

### System characteristics

Rated Ballast-Lamp Power	210 W
Power Loss on CDMe/CPO While Dimming	11 W
Power Loss on CDMe/CPO	18 W
Lamp Power on CDMe/CPO	210 W
System Power on CDMe/CPO	228 W
Rated Lamp Power on CDMe/CPO	210 W

# PrimaVision Xtreme for CPO

Temperature	
T-Ambient (Max)	50 °C
T-Ambient (Min)	-30 °C
T-Storage (Max)	50 °C
T-Storage (Min)	-30 °C
T-Case Lifetime (Nom)	80 °C
T-Case Switch Off (Min)	92 °C

Controls and Dimming	
Programmable Lamp Settings	None
Pre-Set Integrated Controls	None
Programmable Dimming Options	None
Fade Down Rate	0.7 %/sec
Fade Up Rate	7.9 %/sec
Control Input Protection	Yes (Basic insulation)
Regulating Level	-

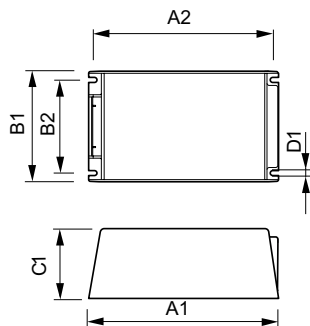
Mechanical and Housing	
Housing	C2

Approval and Application	
Surge Protection (Common/Differential)	EN61547 (L-L 2kV, L-G 4kV), 10 kV TIL
IP Classification Luminaire	34
Active Temperature Protection	Yes
EMI 9 kHz ... 300 MHz	CISPR 15 ed 7.2

Safety Standard	IEC 607, 609, 926, 928 [ No Standard for HID Lamp drivers exists. Requirements in these standards to be used if considered relevant for the product.]
Quality Standard	ISO 9000:2000
Environmental Standard	ISO 14001
Harmonic Current Emission Standard	IEC 61000-3-2
Vibration Standard	IEC 68-2-6 Fc (10-150Hz, 2G)
Bumps Standard	IEC 68-2-29 Eb (10G/16ms)
Humidity Standard	EN 61347-2-12 clause 11
Approval Marks	F-Marking CE marking ENEC certificate VDE-EMV certificate
Hum And Noise Level	< 30 dB(A)

Product Data	
Full product code	871829121993400
Order product name	HID-PV Xt 210 CDMe/CPO C2 208-277V
EAN/UPC - Product	8718291219934
Order code	913700672766
Numerator - Quantity Per Pack	1
Numerator - Packs per outer box	6
Material Nr. (12NC)	913700672766
Net Weight (Piece)	1.420 kg

## Dimensional drawing



HID-PV Xt 210 CDMe/CPO C2 208-277V

Product	D1	C1	A1	A2	B1	B2
HID-PV Xt 210	4.8 mm	58.0	169.0	156.0	100.0	81.5
CDMe/CPO C2		mm	mm	mm	mm	mm
208-277V						

## PrimaVision Xtreme for CPO

