

PrimaVision Xtreme for CPO

HID-PV Xt 60 CPO C1 208-277V

Highly reliable electronic drivers for CPO lamps; designed to save energy by offering better light efficiency than magnetic drivers and to reduce maintenance costs thanks to 80,000-hour lifetime and integrated lightning protection

Product data

| General Information | |
|--|---------------|
| Lamp type | CPO |
| Number of lamps | 1 piece/unit |
| Suitable for outdoor use | Yes |
| Number of products on MCB (16 A type B) (nom.) | 11 |
| Default lamp selected | CPO60 |
| Automatic restart | Yes |
| Operating and Electrical | |
| Input voltage | 208-240-277 V |
| Input frequency | 50 to 60 Hz |
| Minimum mains voltage operation (min.) | 172 V |
| Operating frequency (nom.) | 0.40 kHz |
| Power factor 100% load (nom.) | 0.97 |
| Ignition voltage (max.) | 5 kV |
| Ignition switch-off time (nom.) | 20 min |
| Mains voltage performance (AC) | 188-305V |
| Mains voltage safety (AC) | 160-305V |
| Earth leakage current (max.) | 0.7 mA |
| Output peak voltage (max.) | 250 V |

| | |
|----------------------------|---------|
| Inrush current width | 0.24 ms |
| Lamp power tolerance | -3%/+3% |
| Input current (nom.) | 0.33 A |
| Inrush current peak (max.) | 28 A |

Wiring

| | |
|---|---------------------------|
| Cable capacity output wires mutual (nom.) | 1000 pF |
| Cable length from device to lamp | 10 m |
| Wire strip length | 10.0-11.0 mm |
| Ballast contact wire cross section | 0.50-2.50 mm ² |
| Connector type | WAGO series 804 |

System characteristics

| | |
|---------------------------------|------|
| Rated ballast-lamp power | 60 W |
| Rated lamp power on CPO | 60 W |
| System power on CPO | 67 W |
| Lamp power on CPO | 60 W |
| Power loss on CPO | 7 W |
| Power loss on CPO while dimming | 5 W |

PrimaVision Xtreme for CPO

| Temperature | |
|--------------------------|--------|
| T ambient (max.) | 50 °C |
| T ambient (min.) | -30 °C |
| T storage (max.) | 50 °C |
| T storage (min.) | -30 °C |
| T case lifetime (nom.) | 80 °C |
| T-Case switch off (min.) | 92 °C |

| Controls and Dimming | |
|------------------------------|------------------------|
| Programmable lamp settings | - |
| Pre-set integrated controls | - |
| Programmable dimming options | - |
| Control input protection | Yes (Basic insulation) |
| Regulating level | - |

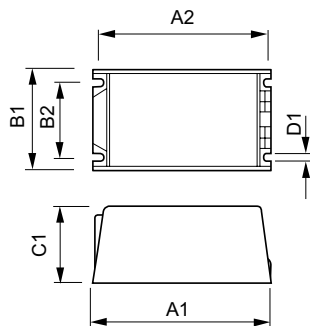
| Mechanical and Housing | |
|------------------------|----|
| Housing | C1 |

| Approval and Application | |
|--|---|
| Surge protection (common/differential) | EN61547 (L-L 2kV, L-G 4kV), 10kV TIL kV |
| IP luminaire classification | 34 |
| Active temperature protection | Yes |
| EMI 9 kHz... 300 MHz | CISPR 15 ed 7.2 |
| Safety standard | IEC 607, 609, 926, 928 [No Standard for HID Lamp drivers exists. Requirements in |

| | |
|------------------------------------|---|
| | these standards to be used if considered relevant for the product.] |
| Quality standard | ISO 9000:2000 |
| Environmental standard | ISO 14001 |
| Harmonic current emission standard | IEC 61000-3-2 |
| Vibration standard | IEC 68-2-6 Fc (10-150Hz, 2G) |
| Bumps standard | IEC 68-2-29 Eb (10G/16ms) |
| Humidity standard | EN 61347-2-12 clause 11 |
| Approval marks | F-Marking CE marking ENEC certificate VDE certificate VDE-EMV certificate |
| Humming and noise level | < 30 dB(A) |

| Product Data | |
|---------------------------------|------------------------------|
| Full product code | 871829119842000 |
| Order product name | HID-PV Xt 60 CPO C1 208-277V |
| EAN/UPC – product | 8718291198420 |
| Order code | 19842000 |
| Local Code | PVXT60CPOC |
| Numerator – quantity per pack | 1 |
| Numerator – packs per outer box | 12 |
| Material no. (12NC) | 913700673066 |
| Net weight (piece) | 0.950 kg |

Dimensional drawing



HID-PV Xt 60 CPO C1 208-277V

| Product | D1 | C1 | A1 | A2 | B1 | B2 |
|------------------|--------|------|-------|-------|------|------|
| HID-PV Xt 60 CPO | 5.0 mm | 65.0 | 150.0 | 135.9 | 65.0 | 46.8 |
| C1 208-277V | | mm | mm | mm | mm | mm |

PrimaVision Xtreme for CPO

