



# PrimaVision Xtreme for CPO

## HID-PV Xt 90 CPO C1 208-277V

Highly reliable electronic drivers for CPO lamps; designed to save energy by offering better light efficiency than magnetic drivers and to reduce maintenance costs thanks to 80,000-hour lifetime and integrated lightning protection

### Product data

| General Information                          |               |
|--|---------------|
| Lamp Type                                    | CPO           |
| Number of Lamps                              | 1 piece/unit  |
| Suitable For Outdoor Use                     | Yes           |
| Number of Products on MCB (16A Type B) (Nom) | 5             |
| Default Lamp Selected                        | CPO90         |
| Automatic Restart                            | Yes           |
| Operating and Electrical                     |               |
| Input Voltage                                | 208-240-277 V |
| Input Frequency                              | 50 to 60 Hz   |
| Minimum Mains Voltage Operation (Min)        | 172 V         |
| Operating Frequency (Nom)                    | 0.40 kHz      |
| Power Factor 100% Load (Nom)                 | 0.98          |
| Ignition Voltage (Max)                       | 5 kV          |
| Ignition Switch-Off Time (Nom)               | 20 min        |
| Mains Voltage Performance (AC)               | 188-305V      |
| Mains Voltage Safety (AC)                    | 160-305V      |
| Earth Leakage Current (Max)                  | 0.7 mA        |
| Output Peak Voltage (Max)                    | 250 V         |

|                           |         |
|---------------------------|---------|
| Inrush Current Width      | 0.47 ms |
| Lamp Power Tolerance      | -3%/+3% |
| Input Current (Nom)       | 0.49 A  |
| Inrush Current Peak (Max) | 52 A    |

### Wiring

|  |                           |
|--|---------------------------|
| Cable Capacity Output Wires Mutual (Nom) | 1000 pF                   |
| Cable Length From Device to Lamp         | 10 m                      |
| Wire Striplength                         | 10.0-11.0 mm              |
| Ballast Contact Wire Cross Section       | 0.50-2.50 mm <sup>2</sup> |
| Connector Type                           | WAGO series 804           |

### System characteristics

|                                 |       |
|---------------------------------|-------|
| Rated Ballast-Lamp Power        | 90 W  |
| Rated Lamp Power on CPO         | 90 W  |
| System Power on CPO             | 98 W  |
| Lamp Power on CPO               | 90 W  |
| Power Loss on CPO               | 8 W   |
| Power Loss on CPO While Dimming | 5.5 W |

# PrimaVision Xtreme for CPO

| Temperature             |        |
|-------------------------|--------|
| T-Ambient (Max)         | 50 °C  |
| T-Ambient (Min)         | -30 °C |
| T-Storage (Max)         | 50 °C  |
| T-Storage (Min)         | -30 °C |
| T-Case Lifetime (Nom)   | 80 °C  |
| T-Case Switch Off (Min) | 92 °C  |

| Controls and Dimming         |                        |
|------------------------------|------------------------|
| Programmable Lamp Settings   | -                      |
| Pre-Set Integrated Controls  | -                      |
| Programmable Dimming Options | -                      |
| Control Input Protection     | Yes (Basic insulation) |
| Regulating Level             | -                      |

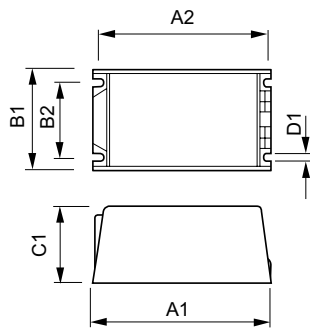
| Mechanical and Housing |    |
|------------------------|----|
| Housing                | C1 |

| Approval and Application               |   |
|--|---|
| Surge Protection (Common/Differential) | EN61547 (L-L 2kV, L-G 4kV), 10 kV TIL   |
| IP Classification Luminaire            | 34  |
| Active Temperature Protection          | Yes   |
| EMI 9 kHz ... 300 MHz                  | CISPR 15 ed 7.2   |
| Safety Standard                        | IEC 607, 609, 926, 928 [ No Standard for HID Lamp drivers exists. Requirements in |

|                                    |   |
|------------------------------------|---|
|                                    | these standards to be used if considered relevant for the product.] |
| Quality Standard                   | ISO 9000:2000   |
| Environmental Standard             | ISO 14001   |
| Harmonic Current Emission Standard | IEC 61000-3-2   |
| Vibration Standard                 | IEC 68-2-6 Fc (10-150Hz, 2G)  |
| Bumps Standard                     | IEC 68-2-29 Eb (10G/16ms)   |
| Humidity Standard                  | EN 61347-2-12 clause 11   |
| Approval Marks                     | F-Marking CE marking ENEC certificate<br>VDE-EMV certificate        |
| Hum And Noise Level                | < 30 dB(A)  |

| Product Data                    |                              |
|---------------------------------|------------------------------|
| Full product code               | 871829119844400              |
| Order product name              | HID-PV Xt 90 CPO C1 208-277V |
| EAN/UPC - Product               | 8718291198444                |
| Order code                      | 913700673166                 |
| Numerator - Quantity Per Pack   | 1                            |
| Numerator - Packs per outer box | 12                           |
| Material Nr. (12NC)             | 913700673166                 |
| Net Weight (Piece)              | 0.950 kg                     |

## Dimensional drawing



HID-PV Xt 90 CPO C1 208-277V

| Product          | D1     | C1   | A1    | A2    | B1   | B2   |
|------------------|--------|------|-------|-------|------|------|
| HID-PV Xt 90 CPO | 5.0 mm | 65.0 | 150.0 | 135.9 | 65.0 | 46.8 |
| C1 208-277V      |        | mm   | mm    | mm    | mm   | mm   |

## PrimaVision Xtreme for CPO

