



DynaVision Programmable Xtreme for CPO

HID-DV PROG Xt 90 CPO C1 208-277V

Highly reliable and flexible electronic drivers for CPO lamps; designed to save on energy costs via integrated controls and to reduce maintenance costs thanks to 80,000-hour lifetime and integrated lightning protection. The DynaVision Programmable product family is the perfect basis for any sort of lighting management solution.

Product data

General Information		Ignition switch-off time (max.)	
Type version	-		20 min
Lamp type	CPO	Mains voltage performance (AC)	188-305V
Number of lamps	1 piece/unit	Mains voltage safety (AC)	160-305V
Suitable for outdoor use	Yes	Power factor 50% load (min.)	0.97
Number of products on MCB (16 A type B) (nom.)	5	Earth leakage current (max.)	0.7 mA
Default lamp selected	CPO90	Output peak voltage (max.)	250 V
Automatic restart	Yes	Inrush current width	0.47 ms
		Lamp power tolerance	-3%/+3%
		Input current (nom.)	0.49 A
		Inrush current peak (max.)	52 A
Operating and Electrical		Wiring	
Input voltage	208-240-277 V	Cable capacity output wires mutual (nom.)	1000 pF
Input frequency	50 to 60 Hz	Cable length from device to lamp	10 m
Minimum mains voltage operation (min.)	172 V	Wire strip length	10.0-11.0 mm
Operating frequency (nom.)	0.40 kHz	Ballast contact wire cross section	0.50-2.50 mm ²
Power factor 100% load (nom.)	0.98		
Ignition voltage (max.)	5 kV		

DynaVision Programmable Xtreme for CPO

Connector type	WAGO series 804
----------------	-----------------

System characteristics

Rated ballast-lamp power	90 W
Rated lamp power on CPO	90 W
System power on CPO	98 W
Lamp power on CPO	90 W
Power loss on CPO	8 W
Power loss on CPO while dimming	5.5 W

Temperature

T ambient (max.)	50 °C
T ambient (min.)	-30 °C
T storage (max.)	50 °C
T storage (min.)	-30 °C
T case lifetime (nom.)	80 °C
T-Case switch off (min.)	92 °C

Controls and Dimming

Control interface	PROG
Programmable lamp settings	CPO90/SON100/CDO100
Pre-set integrated controls	Dali
Programmable dimming options	ALO/CLO/Dynadimmer/Linesitch/ AmpDim
Run-up time before dimming	5 min
Fade-down rate	0.5 %/sec
Fade-up rate	6.3 %/sec
Control input protection	Yes (Basic insulation)
Regulating level	50%-100%

Mechanical and Housing

Housing	C1
---------	----

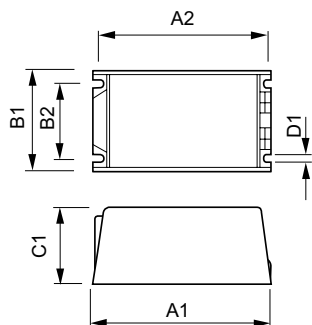
Approval and Application

Surge protection (common/differential)	EN61547 (L-L 2kV, L-G 4kV), 10kV TIL kV
IP luminaire classification	34
Active temperature protection	Yes
EMI 9 kHz... 300 MHz	CISPR 15 ed 7.2
EMI 30 MHz... 1,000 MHz	-
Safety standard	IEC 607, 609, 926, 928 [No Standard for HID Lamp drivers exists. Requirements in these standards to be used if considered relevant for the product.]
Quality standard	ISO 9000:2000
Environmental standard	ISO 14001
Harmonic current emission standard	IEC 61000-3-2
Vibration standard	IEC 68-2-6 Fc (10-150Hz, 2G)
Bumps standard	IEC 68-2-29 Eb (10G/16ms)
Humidity standard	EN 61347-2-12 clause 11
Approval marks	F-Marking CE marking ENEC certificate VDE-EMV certificate
Humming and noise level	< 30 dB(A)

Product Data

Full product code	871829120455800
Order product name	HID-DV PROG Xt 90 CPO C1 208-277V
EAN/UPC – product	8718291204558
Order code	20455800
Numerator – quantity per pack	1
Numerator – packs per outer box	12
Material no. (12NC)	913700675166
Net weight (piece)	0.950 kg

Dimensional drawing



HID-DV PROG Xt 90 CPO C1 208-277V

Product	D1	C1	A1	A2	B1	B2
HID-DV PROG Xt 90	5.0 mm	65.0	150.0	135.9	65.0	46.8
CPO C1 208-277V		mm	mm	mm	mm	mm

DynaVision Programmable Xtreme for CPO

