



DynaVision Programmable Xtreme for SON

HID-DV PROG Xt 250 SON C2 208-277V

Highly reliable and flexible electronic drivers for SON lamps; designed to save energy via integrated controls, and to reduce maintenance costs thanks to 80,000-hour lifetime and integrated lightning protection. The DynaVision Programmable product family is the perfect basis for any sort of lighting management solution.

Product data

General Information	
Type Version	-
Lamp Type	SON
Number of Lamps	1 piece/unit
Suitable For Outdoor Use	Yes
Number of Products on MCB (16A Type B) (Nom)	11
Default Lamp Selected	SON250
Automatic Restart	Yes
Operating and Electrical	
Input Voltage	208-240-277 V
Input Frequency	50 to 60 Hz
Minimum Mains Voltage Operation (Min)	172 V
Operating Frequency (Nom)	0.20 kHz
Power Factor 100% Load (Nom)	0.99
Ignition Voltage (Max)	5 kV
Ignition Switch-Off Time (Max)	20 min

Mains Voltage Performance (AC)	188-305V
Mains Voltage Safety (AC)	160-305V
Power Factor 50% Load (Min)	0.98
Earth Leakage Current (Max)	0.7 mA
Output Peak Voltage (Max)	250 V
Inrush Current Width	4 ms
Lamp Power Tolerance	-3%/+3%
Input Current (Nom)	1.32 A
Inrush Current Peak (Max)	4 A

Wiring	
Cable Capacity Output Wires Mutual (Nom)	1000 pF
Cable Length From Device to Lamp	10 m
Wire Striplength	10.0-11.0 mm
Ballast Contact Wire Cross Section	0.50-2.50 mm ²
Connector Type	WAGO series 804

DynaVision Programmable Xtreme for SON

System characteristics	
Rated Ballast-Lamp Power	250 W
Rated Lamp Power on Son	250 W
System Power on Son	273 W
Lamp Power on Son	250 W
Power Loss on Son	23 W
Power Loss on Son While Dimming	13 W

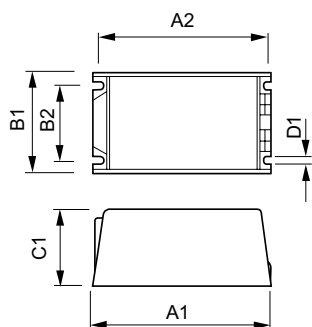
Temperature	
T-Ambient (Max)	50 °C
T-Ambient (Min)	-30 °C
T-Storage (Max)	50 °C
T-Storage (Min)	-30 °C
T-Case Lifetime (Nom)	80 °C
T-Case Switch Off (Min)	92 °C

Controls and Dimming	
Control Interface	PROG
Pre-Set Integrated Controls	Dali
Programmable Dimming Options	ALO/CLO/Dynadimmer/lineswitch/ AmpDi
Run-Up Time Before Dimming	0 min
Fade Down Rate	13.3 %/sec
Fade Up Rate	13 %/sec
Control Input Protection	Yes (Basic insulation)
Regulating Level	20%-100%

Mechanical and Housing	
Housing	C2

Approval and Application	
Surge Protection (Common/Differential)	EN61547 (L-L 2kV, L-G 4kV), 10kV TIL kV

Dimensional drawing



HID-DV PROG Xt 250 SON C2 208-277V

IP Classification Luminaire	34
Active Temperature Protection	Yes
EMI 9 kHz ... 300 MHz	CISPR 15 ed 7.2
EMI 30 MHz ... 1000 MHz	-
Safety Standard	IEC 607, 609, 926, 928 [No Standard for HID Lamp drivers exists. Requirements in these standards to be used if considered relevant for the product.]
Quality Standard	ISO 9000:2000
Environmental Standard	ISO 14001
Harmonic Current Emission Standard	IEC 61000-3-2
Vibration Standard	IEC 68-2-6 Fc (10-150Hz, 2G)
Bumps Standard	IEC 68-2-29 Eb (10G/16ms)
Humidity Standard	EN 61347-2-12 clause 11
Approval Marks	F-Marking CE marking ENEC certificate VDE-EMV certificate
Hum And Noise Level	37 dB(A)

Product Data	
Full product code	871829121991000
Order product name	HID-DV PROG Xt 250 SON C2 208-277V
EAN/UPC - Product	8718291219910
Order code	21991000
Numerator - Quantity Per Pack	1
Numerator - Packs per outer box	6
Material Nr. (12NC)	913700676766
Net Weight (Piece)	1.420 kg

Product	D1	C1	A1	A2	B1	B2
HID-DV PROG Xt 250	4.8 mm	58.0	169.0	156.0	100.0	81.5
SON C2 208-277V		mm	mm	mm	mm	mm

DynaVision Programmable Xtreme for SON

