



# DynaVision Programmable Xtreme for CDMe

## HID-DV PROG Xt 210 CDMe/CPO C2 208-277V

Highly reliable and flexible electronic drivers for MASTERColour CDMe MW lamps; designed to save on energy costs via integrated controls and to reduce maintenance costs thanks to 80,000 hour lifetime and integrated lightning protection. The DynaVision Programmable product family is the perfect basis for any sort of lighting management solution.

### Product data

General Information			
Type version	-	Ignition switch-off time (max.)	20 min
Lamp type	CDMe/CPO	Mains voltage performance (AC)	188-305V
Number of lamps	1 piece/unit	Mains voltage safety (AC)	160-305V
Suitable for outdoor use	Yes	Power factor 50% load (min.)	0.98
Number of products on MCB (16 A type B) (nom.)	13	Earth leakage current (max.)	0.7 mA
Default lamp selected	CDMe210	Output peak voltage (max.)	250 V
Automatic restart	Yes	Inrush current width	4 ms
		Lamp power tolerance	-3%/+3%
		Input current (nom.)	1.11 A
		Inrush current peak (max.)	4 A
Operating and Electrical		Wiring	
Input voltage	208-240-277 V	Cable capacity output wires mutual (nom.)	1000 pF
Input frequency	50 to 60 Hz	Cable length from device to lamp	3 m
Minimum mains voltage operation (min.)	172 V	Wire strip length	10.0-11.0 mm
Operating frequency (nom.)	0.20 kHz	Ballast contact wire cross section	0.50-2.50 mm <sup>2</sup>
Power factor 100% load (nom.)	0.99		
Ignition voltage (max.)	5 kV		

# DynaVision Programmable Xtreme for CDMe

Connector type	WAGO series 804
----------------	-----------------

## System characteristics

Rated ballast-lamp power	210 W
Power loss on CDMe/CPO while dimming	11 W
Power loss on CDMe/CPO	18 W
Lamp power on CDMe/CPO	210 W
System power on CDMe/CPO	228 W
Rated lamp power on CDMe/CPO	210 W

## Temperature

T ambient (max.)	50 °C
T ambient (min.)	-30 °C
T storage (max.)	50 °C
T storage (min.)	-30 °C
T case lifetime (nom.)	80 °C
T-Case switch off (min.)	92 °C

## Controls and Dimming

Control interface	PROG
Programmable lamp settings	SON250/CDO250/CDMe250
Pre-set integrated controls	Dali
Programmable dimming options	ALO/CLO/Dynadimmer/lineswitch/AmpDi
Run-up time before dimming	0 min
Fade-down rate	0.7 %/sec
Fade-up rate	7.9 %/sec
Control input protection	Yes (Basic insulation)
Regulating level	37%-100%

## Mechanical and Housing

Housing	C2
---------	----

## Approval and Application

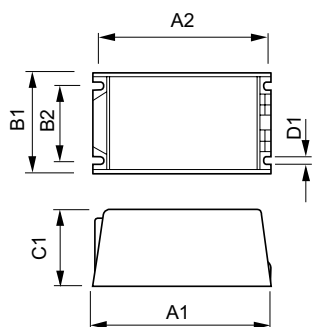
Surge protection (common/differential)	EN61547 (L-L 2kV, L-G 4kV), 10kV TIL kV
--	---

IP luminaire classification	34
Active temperature protection	Yes
EMI 9 kHz... 300 MHz	CISPR 15 ed 7.2
EMI 30 MHz... 1,000 MHz	-
Safety standard	IEC 607, 609, 926, 928 [ No Standard for HID Lamp drivers exists. Requirements in these standards to be used if considered relevant for the product.]
Quality standard	ISO 9000:2000
Environmental standard	ISO 14001
Harmonic current emission standard	IEC 61000-3-2
Vibration standard	IEC 68-2-6 Fc (10-150Hz, 2G)
Bumps standard	IEC 68-2-29 Eb (10G/16ms)
Humidity standard	EN 61347-2-12 clause 11
Approval marks	F-Marking CE marking ENEC certificate VDE-EMV certificate
Humming and noise level	37 dB(A)

## Product Data

Full product code	871829122269900
Order product name	HID-DV PROG Xt 210 CDMe/CPO C2 208-277V
EAN/UPC – product	8718291222699
Order code	22269900
Local Code	DVPROGXT210CDM
Numerator – quantity per pack	1
Numerator – packs per outer box	6
Material no. (12NC)	913700676966
Net weight (piece)	1.420 kg

## Dimensional drawing



HID-DV PROG Xt 210 CDMe/CPO C2 208-277V

Product	D1	C1	A1	A2	B1	B2
HID-DV PROG Xt 210	4.8 mm	58.0	169.0	156.0	100.0	81.5
CDMe/CPO C2		mm	mm	mm	mm	mm
208-277V						

## DynaVision Programmable Xtreme for CDMe

