



DynaVision Programmable Xtreme for SON

HID-DV PROG Xt 100 SON C1 208-277V

Highly reliable and flexible electronic drivers for SON lamps; designed to save energy via integrated controls, and to reduce maintenance costs thanks to 80,000-hour lifetime and integrated lightning protection. The DynaVision Programmable product family is the perfect basis for any sort of lighting management solution.

Product data

General Information		Mains Voltage Performance (AC)	
Application Code	-	Mains Voltage Safety (AC)	160-305V
Lamp Type	SON	Earth Leakage Current (Max)	0.7 mA
Number of Lamps	1 piece/unit	Output Peak Voltage (Max)	250 V
Suitable For Outdoor Use	Yes	Inrush Current Width	0.47 ms
Number of Products on MCB (16A Type B) (Nom)	5	Lamp Power Tolerance	-3%/+3%
Default Lamp Selected	SON100	Input Current (Nom)	0.53 A
Automatic Restart	Yes	Inrush Current Peak (Nom)	52 A
Operating and Electrical		Wiring	
Input Voltage	208-240-277 V	Cable Capacity Output Wires Mutual (Nom)	1000 pF
Input Frequency	50 to 60 Hz	Cable Length From Device to Lamp	10 m
Minimum Mains Voltage Operation (Min)	172 V	Wire Striplength	10.0-11.0 mm
Operating Frequency (Nom)	0.40 kHz	Ballast Contact Wire Cross Section	0.50-2.50 mm ²
Power Factor 100% Load (Nom)	0.99	Connector Type	WAGO series 804
Ignition Voltage (Max)	5 kV	System characteristics	
Ignition Switch-Off Time (Max)	20 min	Rated Ballast-Lamp Power	100 W

DynaVision Programmable Xtreme for SON

Rated Lamp Power on Son	100 W
System Power on Son	106 W
Lamp Power on Son	98 W
Power Loss on Son	8 W
Power Loss on Son While Dimming	5 W

Temperature

T-Ambient (Max)	50 °C
T-Ambient (Min)	-30 °C
T-Storage (Max)	50 °C
T-Storage (Min)	-30 °C
T-Case Lifetime (Nom)	80 °C
T-Case Switch Off (Min)	92 °C

Controls and Dimming

Control Interface	PROG
Programmable Lamp Settings	CPO90/SON100/CDO100
Pre-Set Integrated Controls	Dali
Programmable Dimming Options	ALO/CLO/Dynadimmer/Linesitch/ AmpDim
Run-Up Time Before Dimming	10 min
Fade Down Rate	1.2 %/sec
Fade Up Rate	16 %/sec
Regulating Level	20%-100%

Mechanical and Housing

Housing	C1
---------	----

Approval and Application

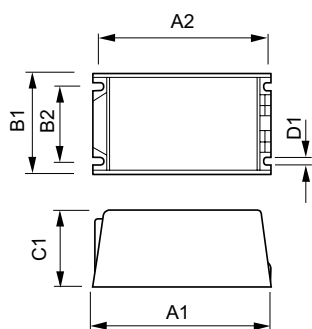
Surge Protection (Common/Differential)	EN61547 (L-L 2kV, L-G 4kV), 10 kV TIL
--	---------------------------------------

IP Classification Luminaire	34
Active Temperature Protection	Yes
EMI 9 kHz ... 300 MHz	CISPR 15 ed 7.2
EMI 30 MHz ... 1000 MHz	CISPR15 Edition 7.2
Safety Standard	IEC 607, 609, 926, 928 [No Standard for HID Lamp drivers exists. Requirements in these standards to be used if considered relevant for the product.]
Quality Standard	ISO 9000:2000
Environmental Standard	ISO 14001
Harmonic Current Emission Standard	IEC 61000-3-2
Vibration Standard	IEC 68-2-6 Fc (10-150Hz, 2G)
Bumps Standard	IEC 68-2-29 Eb (10G/16ms)
Humidity Standard	EN 61347-2-12 clause 11
Approval Marks	F-Marking CE marking VDE-EMV certificate ENEC certificate
Hum And Noise Level	< 30 dB(A)

Product Data

Full product code	871829121224900
Order product name	HID-DV PROG Xt 100 SON C1 208-277V
EAN/UPC - Product	8718291212249
Order code	913700678766
Numerator - Quantity Per Pack	1
Numerator - Packs per outer box	12
Material Nr. (12NC)	913700678766
Net Weight (Piece)	0.950 kg

Dimensional drawing



HID-DV PROG Xt 100 SON C1 208-277V

Product	D1	C1	A1	A2	B1	B2
HID-DV PROG Xt 100	5.0 mm	65.0	150.0	135.9	65.0	46.8
SON C1 208-277V		mm	mm	mm	mm	mm

DynaVision Programmable Xtreme for SON

