



PrimaVision Economy for CDM lamps

HID-PV E 70 /S CDM 220-240V 50/60Hz

Single CDM lamp operation, single HID electronic gear – improves cost effectiveness and increases luminaire design flexibility

Product data

General Information	
Type version	-
Lamp type	CDM
Number of lamps	1 piece/unit
Number of products on MCB (16 A type B) (nom.)	20
Automatic restart	Yes
Operating and Electrical	
Input voltage	220 to 240 V
Input frequency	50 to 60 Hz
Minimum mains voltage operation (min.)	180 V
Operating frequency (nom.)	45-66 kHz
Power factor 100% load (nom.)	0.95
Ignition type	Pulse
Ignition voltage (max.)	5.0 kV
Ignition voltage (min.)	3.0 kV
Mains voltage performance (AC)	-8% - +6%
Mains voltage safety (AC)	180-264V
Inrush current width	0.33 ms
Constant wattage deviation	Not specified
Power losses (nom.)	7 W

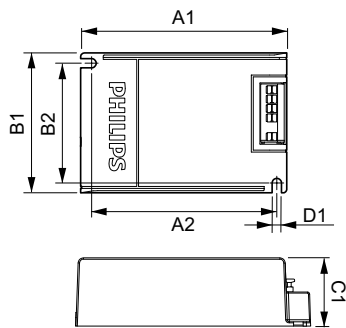
Inrush current peak (max.)	33 A
Output voltage	- V
Wiring	
Cable capacity output wires mutual (nom.)	120 pF
Cable length from device to lamp	2 m
Ballast contact wire cross section	0.50-1.50 mm ²
Connector type	Insert
System characteristics	
Rated ballast-lamp power	70 W
Temperature	
T ambient (max.)	50 °C
T ambient (min.)	-20 °C
T storage (max.)	80 °C
T storage (min.)	-25 °C
T case lifetime (nom.)	80 °C
T-Case maximum (max.)	80 °C

PrimaVision Economy for CDM lamps

Mechanical and Housing	
Housing	/S
Approval and Application	
Active temperature protection	No
EMI 30 MHz... 1,000 MHz	CISPR15 Edition 7.2
Vibration standard	IEC68-2-6 F c
Bumps standard	IEC 68-2-29 Eb
Approval marks	CE marking ENEC certificate VDE certificate
Surge test installation level	EN61547
Surge test performance criteria	Not specified
Humming and noise level	37 dB(A)

Product Data	
Full product code	871829118419500
Order product name	HID-PV E 70 /S CDM 220-240V
EAN/UPC – product	8718291184195
Order code	18419500
Numerator – quantity per pack	1
Numerator – packs per outer box	12
Material no. (12NC)	913700680966
Net weight (piece)	0.215 kg

Dimensional drawing



HID-PVe C 70 /S CDM 220-240V 50/60Hz

Product	D1	C1	A1	A2	B1	B2
HID-PV E 70 /S CDM 220-240V	4.9 mm	32.2 mm	109.6 mm	98.5 mm	74.4 mm	63.7 mm

