



PrimaVision Economy for CDM lamps

HID-PV E 70 /S CDM 220-240V

Single CDM lamp operation, single HID electronic gear – improves cost effectiveness and increases luminaire design flexibility

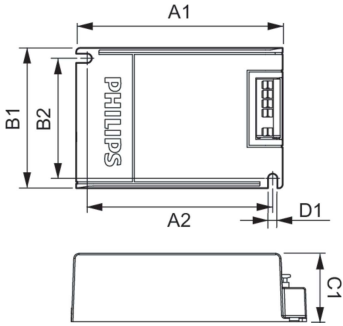
Product data

Operating and Electrical	
Input Voltage	220 to 240 V
Line Frequency	50 to 60 Hz
Input Frequency	50 to 60 Hz
Inrush Current Width	0.33 ms
Inrush Current Peak (Max)	33 A
Number of Products on MCB (16A Type B) (Nom)	20
Wiring	
Cable Length From Device to Lamp	2 m
Connector Type	Insert
Temperature	
Ambient temperature range	-20 °C to 50 °C
T-Case Lifetime (Nom)	80 °C
T-Case Maximum (Max)	80 °C
Mechanical and Housing	
Housing	/S

Approval and Application	
Approval Marks	CE marking ENEC certificate VDE certificate
Product Data	
Order product name	HID-PV E 70 /S CDM 220-240V
Full product name	HID-PV E 70 /S CDM 220-240V
Full product code	871829118419500
Order code	913700680966
Material Nr. (12NC)	913700680966
Numerator - Quantity Per Pack	1
EAN/UPC - Product/Case	8718291184195
Numerator - Packs per outer box	12
EAN/UPC - Case	8718291184201

PrimaVision Economy for CDM lamps

Dimensional drawing



Product	D1	C1	A1	A2	B1	B2
HID-PV E 70 /S CDM 220-240V	4.9 mm	32.2 mm	109.6 mm	98.5 mm	74.4 mm	63.7 mm

