



PrimaVision Xtreme for CPO

HID-PV Xt 60 CPO L1 208-277V

Compact, robust, outdoor, one-piece, electronic ballasts for CosmoPolis White (CPO-TW) lamps

Product data

General Information		Lamp Power Tolerance	
Lamp Type	CPO	Lamp Power Tolerance	-3%/+3%
Number of Lamps	1 piece/unit	Input Current (Nom)	0.33 A
Suitable For Outdoor Use	Yes	Inrush Current Peak (Max)	28 A
Number of Products on MCB (16A Type B) (Nom)	11	Wiring	
Default Lamp Selected	CPO60	Cable Capacity Output Wires Mutual (Nom)	1000 pF
Automatic Restart	Yes	Cable Length From Device to Lamp	10 m
Operating and Electrical		Wire Striplength	10.0-11.0 mm
Input Voltage	208-240-277 V	Ballast Contact Wire Cross Section	0.50-2.50 mm ²
Input Frequency	50 to 60 Hz	Connector Type	WAGO series 804
Minimum Mains Voltage Operation (Min)	172 V	System characteristics	
Operating Frequency (Nom)	0.40 kHz	Rated Ballast-Lamp Power	60 W
Power Factor 100% Load (Nom)	0.97	Rated Lamp Power on CPO	60 W
Ignition Voltage (Max)	5 kV	System Power on CPO	67 W
Ignition Switch-Off Time (Nom)	20 min	Lamp Power on CPO	60 W
Mains Voltage Performance (AC)	188-305V	Power Loss on CPO	7 W
Mains Voltage Safety (AC)	160-305V	Power Loss on CPO While Dimming	5 W
Earth Leakage Current (Max)	0.7 mA	Temperature	
Output Peak Voltage (Max)	250 V	T-Ambient (Max)	55 °C
Inrush Current Width	0.42 ms	T-Ambient (Min)	-30 °C

PrimaVision Xtreme for CPO

T-Storage (Max)	55 °C
T-Storage (Min)	-30 °C
T-Case Lifetime (Nom)	80 °C
T-Case Switch Off (Min)	92 °C

Controls and Dimming

Programmable Lamp Settings	None
Pre-Set Integrated Controls	None
Programmable Dimming Options	None
Control Input Protection	Yes (Basic insulation)
Regulating Level	-

Mechanical and Housing

Housing	Q
---------	---

Approval and Application

Surge Protection (Common/Differential)	EN61547 (L-L 2kV, L-G 4kV), 10kV TIL kV
IP Classification Luminaire	34
Active Temperature Protection	Yes
EMI 9 kHz ... 300 MHz	CISPR 15 ed 7.2
EMI 30 MHz ... 1000 MHz	CISPR15 Edition 7.2
Safety Standard	IEC 607, 609, 926, 928 [No Standard for HID Lamp drivers exists. Requirements in

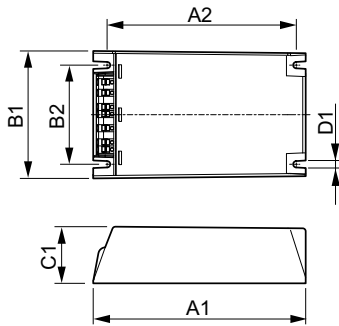
these standards to be used if considered relevant for the product.]

Quality Standard	ISO 9000:2000
Environmental Standard	ISO 14001
Harmonic Current Emission Standard	IEC 61000-3-2
Vibration Standard	IEC 68-2-6 Fc (10-150Hz, 2G)
Bumps Standard	IEC 68-2-29 Eb (10G/16ms)
Humidity Standard	EN 61347-2-12 clause 11
Approval Marks	F-Marking CE marking ENEC certificate VDE-EMV certificate
Hum And Noise Level	< 30 dB(A)

Product Data

Full product code	871829124143000
Order product name	HID-PV Xt 60 CPO Q 208-277V
EAN/UPC - Product	8718291241430
Order code	24143000
Numerator - Quantity Per Pack	1
Numerator - Packs per outer box	12
Material Nr. (12NC)	913700685466
Net Weight (Piece)	0.820 kg

Dimensional drawing



HID-PV Xt 60 CPO Q 208-277V

Product	D1	C1	A1	A2	B1	B2
HID-PV Xt 60 CPO Q	4.5 mm	40.0	150.0	133.6	90.0	70.0
208-277V		mm	mm	mm	mm	mm

