



# Cosmopolis Xtreme Fixed Output Ballast

## COSMOPOLIS ICW60QLSM

The Philips CosmoPolis system brings high efficiency white light to outdoor lighting in traditional high pressure sodium applications. The optimized electronic ballast with integral surge protection provides long service life and maximizes the lamp performance.

### Product data

General Information		Inrush Current Width	
Lamp Type	CPO	Inrush Current Width	0.42 ms
Number of Lamps	1 piece/unit	Lamp Power Tolerance	-3%/+3%
Suitable For Outdoor Use	Yes	Input Current (Nom)	0.33 A
Number of Products on MCB (16A Type B) (Nom)	11	Inrush Current Peak (Max)	28 A
Default Lamp Selected	CPO60	Wiring	
Automatic Restart	Yes	Cable Capacity Output Wires Mutual (Nom)	1000 pF
		Cable Length From Device to Lamp	10 m
		Wire Striplength	10.0-11.0 mm
		Ballast Contact Wire Cross Section	0.50-2.50 mm <sup>2</sup>
		Connector Type	WAGO series 804
Operating and Electrical		System characteristics	
Input Voltage	208-240-277 V	Rated Ballast-Lamp Power	60 W
Input Frequency	50 to 60 Hz	Rated Lamp Power on CPO	60 W
Minimum Mains Voltage Operation (Min)	172 V	System Power on CPO	67 W
Operating Frequency (Nom)	0.40 kHz	Lamp Power on CPO	60 W
Power Factor 100% Load (Nom)	0.97	Power Loss on CPO	7 W
Ignition Voltage (Max)	5 kV	Power Loss on CPO While Dimming	5 W
Ignition Switch-Off Time (Nom)	20 min		
Mains Voltage Performance (AC)	188-305V		
Mains Voltage Safety (AC)	160-305V		
Earth Leakage Current (Max)	0.7 mA		
Output Peak Voltage (Max)	250 V		

# Cosmopolis Xtreme Fixed Output Ballast

## Temperature

T-Ambient (Max)	55 °C
T-Ambient (Min)	-30 °C
T-Storage (Max)	55 °C
T-Storage (Min)	-30 °C
T-Case Lifetime (Nom)	80 °C
T-Case Switch Off (Min)	92 °C

## Controls and Dimming

Programmable Lamp Settings	None
Pre-Set Integrated Controls	None
Programmable Dimming Options	None
Control Input Protection	Yes (Basic insulation)
Regulating Level	-

## Mechanical and Housing

Housing	Q
---------	---

## Approval and Application

Surge Protection (Common/Differential)	EN61547 (L-L 2kV, L-G 4kV), 10 kV TIL
IP Classification Luminaire	34
Active Temperature Protection	Yes
EMI 9 kHz ... 300 MHz	CISPR 15 ed 7.2
EMI 30 MHz ... 1000 MHz	CISPR15 Edition 7.2
Safety Standard	IEC 607, 609, 926, 928 [ No Standard for HID Lamp drivers exists.

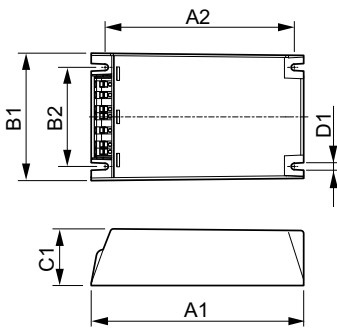
Requirements in these standards to be used if considered relevant for the product.]

Quality Standard	ISO 9000:2000
Environmental Standard	ISO 14001
Harmonic Current Emission Standard	IEC 61000-3-2
Vibration Standard	IEC 68-2-6 Fc (10-150Hz, 2G)
Bumps Standard	IEC 68-2-29 Eb (10G/16ms)
Humidity Standard	EN 61347-2-12 clause 11
Approval Marks	F-Marking CE marking ENEC certificate VDE-EMV certificate
Hum And Noise Level	< 30 dB(A)

## Product Data

Order product name	COSMOPOLIS ICW60QLSM
EAN/UPC - Product	781087126424
Order code	913700685469
Numerator - Quantity Per Pack	1
Numerator - Packs per outer box	12
Material Nr. (12NC)	913700685469
Net Weight (Piece)	0.820 kg

## Dimensional drawing



HID-PV Xt 60 CPO Q 208-277V

Product	D1	C1	A1	A2	B1	B2
COSMOPOLIS ICW60QLSM	4.5 mm	40.0 mm	150.0 mm	133.6 mm	90.0 mm	70.0 mm

## Cosmopolis Xtreme Fixed Output Ballast

