



# PrimaVision Xtreme for CPO

## HID-PV Xt 90 CPO L1 208-277V

Compact, robust, outdoor, one-piece, electronic ballasts for CosmoPolis White (CPO-TW) lamps

### Product data

General Information	
Lamp Type	CPO
Number of Lamps	1 piece/unit
Suitable For Outdoor Use	Yes
Number of Products on MCB (16A Type B) (Nom)	5
Default Lamp Selected	CPO90
Automatic Restart	Yes
Operating and Electrical	
Input Voltage	208-240-277 V
Input Frequency	50 to 60 Hz
Minimum Mains Voltage Operation (Min)	172 V
Operating Frequency (Nom)	0.40 kHz
Power Factor 100% Load (Nom)	0.98
Ignition Voltage (Max)	5 kV
Ignition Switch-Off Time (Nom)	20 min
Mains Voltage Performance (AC)	188-305V
Mains Voltage Safety (AC)	160-305V
Earth Leakage Current (Max)	0.7 mA
Output Peak Voltage (Max)	250 V
Inrush Current Width	0.47 ms

Lamp Power Tolerance	-3%/+3%
Input Current (Nom)	0.49 A
Inrush Current Peak (Max)	52 A

### Wiring

Cable Capacity Output Wires Mutual (Nom)	1000 pF
Cable Length From Device to Lamp	10 m
Wire Striplength	10.0-11.0 mm
Ballast Contact Wire Cross Section	0.50-2.50 mm <sup>2</sup>
Connector Type	WAGO series 804

### System characteristics

Rated Ballast-Lamp Power	90 W
Rated Lamp Power on CPO	90 W
System Power on CPO	98 W
Lamp Power on CPO	90 W
Power Loss on CPO	8 W
Power Loss on CPO While Dimming	5.5 W

### Temperature

T-Ambient (Max)	55 °C
T-Ambient (Min)	-30 °C

## PrimaVision Xtreme for CPO

T-Storage (Max)	55 °C
T-Storage (Min)	-30 °C
T-Case Lifetime (Nom)	80 °C
T-Case Switch Off (Min)	92 °C

### Controls and Dimming

Programmable Lamp Settings	None
Pre-Set Integrated Controls	None
Programmable Dimming Options	None
Control Input Protection	Yes (Basic insulation)
Regulating Level	-

### Mechanical and Housing

Housing	Q
---------	---

### Approval and Application

Surge Protection (Common/Differential)	EN61547 (L-L 2kV, L-G 4kV), 10kV TIL kV
IP Classification Luminaire	34
Active Temperature Protection	Yes
EMI 9 kHz ... 300 MHz	CISPR 15 ed 7.2
EMI 30 MHz ... 1000 MHz	CISPR15 Edition 7.2
Safety Standard	IEC 607, 609, 926, 928 [ No Standard for HID Lamp drivers exists. Requirements in

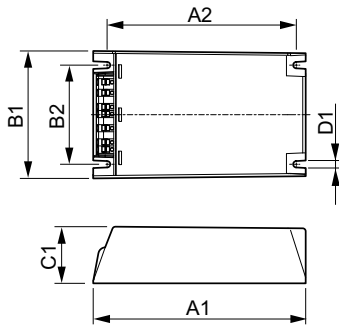
these standards to be used if considered relevant for the product.]

Quality Standard	ISO 9000:2000
Environmental Standard	ISO 14001
Harmonic Current Emission Standard	IEC 61000-3-2
Vibration Standard	IEC 68-2-6 Fc (10-150Hz, 2G)
Bumps Standard	IEC 68-2-29 Eb (10G/16ms)
Humidity Standard	EN 61347-2-12 clause 11
Approval Marks	F-Marking CE marking ENEC certificate VDE-EMV certificate
Hum And Noise Level	< 30 dB(A)

### Product Data

Full product code	871829124145400
Order product name	HID-PV Xt 90 CPO Q 208-277V
EAN/UPC - Product	8718291241454
Order code	24145400
Numerator - Quantity Per Pack	1
Numerator - Packs per outer box	12
Material Nr. (12NC)	913700685566
Net Weight (Piece)	0.820 kg

## Dimensional drawing



HID-PV Xt 90 CPO Q 208-277V

Product	D1	C1	A1	A2	B1	B2
HID-PV Xt 90 CPO Q	4.5 mm	40.0	150.0	133.6	90.0	70.0
208-277V		mm	mm	mm	mm	mm

