



# PrimaVision Xtreme for CPO

## HID-PV Xt 140 CPO Q 208-277V

Highly reliable electronic drivers for CPO lamps; designed to save energy by offering better light efficiency than magnetic drivers and to reduce maintenance costs thanks to 80,000-hour lifetime and integrated lightning protection

### Product data

Operating and Electrical	
Input Voltage	208-240-277 V
Line Frequency	50 to 60 Hz
Input Frequency	50 to 60 Hz
Earth Leakage Current (Max)	0.7 mA
Inrush Current Width	0.47 ms
Input Current (Nom)	0.75 A
Inrush Current Peak (Max)	52 A
Number of Products on MCB (16A Type B) (Nom)	5

Wiring	
Cable Length From Device to Lamp	10 m
Connector Type	WAGO series 804

Temperature	
Ambient temperature range	-30 °C to 55 °C
T-Case Lifetime (Nom)	80 °C

Mechanical and Housing	
Housing	Q

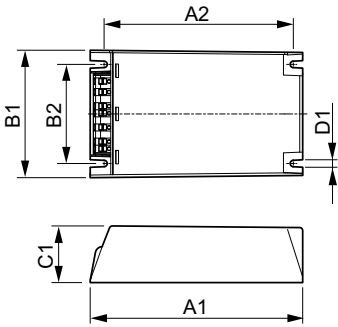
Approval and Application	
Surge Protection (Common/Differential)	ENG1547 (L-L 2kV, L-G 4kV), 10 kV TIL
Safety Standard	IEC 607, 609, 926, 928 [No Standard for HID Lamp drivers exists. Requirements in these standards to be used if considered relevant for the product.]
Environmental Standard	ISO 14001
Approval Marks	F-Marking CE marking ENEC certificate VDE-EMV certificate

Product Data	
Order product name	HID-PV Xt 140 CPO Q 208-277V
Full product name	HID-PV Xt 140 CPO Q 208-277V
Full product code	871829124147800
Local code description	HIDPVxt140/SCPO
Order code	913700685666
Material Nr. (12NC)	913700685666
Local order code	HIDPVXT140/SCPO
Numerator - Quantity Per Pack	1

# PrimaVision Xtreme for CPO

EAN/UPC - Product/Case	8718291241478
Numerator - Packs per outer box	12
EAN/UPC - Case	8718291241485

## Dimensional drawing



Product	D1	C1	A1	A2	B1	B2
HID-PV Xt 140 CPO Q 208-277V	4.5 mm	40.0 mm	150.0 mm	133.6 mm	90.0 mm	70.0 mm

