



DynaVision Programmable Xtreme for CPO

HID-DV PROG Xt 140 CPO L1 208-277V

Highly reliable and flexible electronic drivers for CPO lamps; designed to save on energy costs via integrated controls and to reduce maintenance costs thanks to 80,000-hour lifetime and integrated lightning protection. The DynaVision Programmable product family is the perfect basis for any sort of lighting management solution.

Product data

General Information			
Type version	-	Ignition switch-off time (max.)	20 min
Lamp type	CPO	Mains voltage performance (AC)	188-305V
Number of lamps	1 piece/unit	Mains voltage safety (AC)	160-305V
Suitable for outdoor use	Yes	Power factor 50% load (min.)	0.98
Number of products on MCB (16 A type B) (nom.)	5	Earth leakage current (max.)	0.7 mA
Default lamp selected	CPO140	Output peak voltage (max.)	250 V
Automatic restart	Yes	Inrush current width	0.47 ms
		Standby power consumption (max.)	0.8 W
Operating and Electrical		Lamp power tolerance	-3%/+3%
Input Voltage	208-240-277 V	Input current (nom.)	0.75 A
Input frequency	50 to 60 Hz	Inrush current peak (max.)	52 A
Minimum mains voltage operation (min.)	172 V		
Operating frequency (nom.)	0.40 kHz	Wiring	
Power factor 100% load (nom.)	0.99	Cable capacity output wires mutual (nom.)	1000 pF
Ignition voltage (max.)	5 kV	Cable length from device to lamp	10 m
		Wire strip length	10.0-11.0 mm
		Ballast contact wire cross section	0.50-2.50 mm ²

DynaVision Programmable Xtreme for CPO

Connector type	WAGO series 804
----------------	-----------------

System characteristics

Rated ballast-lamp power	140 W
Rated lamp power on CPO	140 W
System power on CPO	153 W
Lamp power on CPO	140 W
Power loss on CPO	13 W
Power loss on CPO while dimming	7 W

Temperature

T-ambient (max.)	55 °C
T-ambient (min.)	-30 °C
T storage (max.)	50 °C
T storage (min.)	-30 °C
T-case lifetime (nom.)	80 °C
T-case switch off (min.)	92 °C

Controls and Dimming

Control interface	PROG
Programmable lamp settings	CPO140/SON150/CDO150
Pre-set integrated controls	Dali
Programmable dimming options	ALO/CLO/Dynadimmer/Lineswitch/ AmpDi
Run-up time before dimming	5 min
Fade-down rate	0.5 %/sec
Fade-up rate	6.3 %/sec
Control input protection	Yes (Basic insulation)
Regulating level	-

Mechanical and Housing

Housing	Q
---------	---

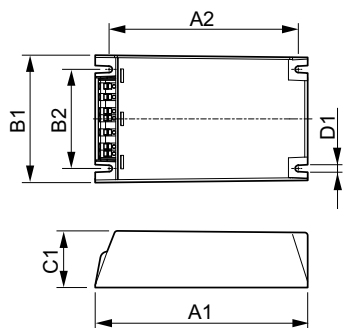
Approval and Application

Surge protection (common/differential)	EN61547 (L-L 2kV, L-G 4kV), 10kV TIL kV
IP luminaire classification	34
Active temperature protection	Yes
EMI 9 kHz ... 300 MHz	CISPR 15 ed 7.2
EMI 30 MHz ... 1,000 MHz	-
Safety standard	IEC 607, 609, 926, 928 [No Standard for HID Lamp drivers exists. Requirements in these standards to be used if considered relevant for the product.]
Quality standard	ISO 9000:2000
Environmental standard	ISO 14001
Harmonic current emission standard	IEC 61000-3-2
Vibration standard	IEC 68-2-6 Fc (10-150Hz, 2G)
Bumps standard	IEC 68-2-29 Eb (10G/16ms)
Humidity standard	EN 61347-2-12 clause 11
Approval marks	F-Marking CE marking VDE-EMV certificate CB Certificate ENEC certificate
Humming and noise level	< 30 dB(A)

Product Data

Full product code	871829124153900
Order product name	HID-DV PROG Xt 140 CPO Q 208-277V
EAN/UPC – product	8718291241539
Order code	24153900
SAP numerator – quantity per pack	1
Numerator – packs per outer box	12
SAP material	913700685966
SAP net weight (piece)	0.820 kg

Dimensional drawing



HID-DV PROG Xt 140 CPO Q 208-277V

Product

HID-DV PROG Xt 140 CPO Q 208-277V

DynaVision Programmable Xtreme for CPO

