



# PrimaVision Xtreme for SON

## PV Xt Q 150W SON

Highly reliable electronic drivers for SON lamps designed for saving energy via better light efficiency compared to magnetic drivers and for saving on maintenance costs thanks to a lifetime of up to 80.000 hours and the integrated lightning protection.

### Product data

General Information		Inrush Current Width	
Lamp Type	SON	Inrush Current Width	0.47 ms
Number of Lamps	1 piece/unit	Lamp Power Tolerance	-3%/+3%
Suitable For Outdoor Use	Yes	Input Current (Nom)	0.77 A
Number of Products on MCB (16A Type B) (Nom)	5	Inrush Current Peak (Max)	52 A
Default Lamp Selected	SON150	Wiring	
Automatic Restart	Yes	Cable Capacity Output Wires Mutual (Nom)	1000 pF
Operating and Electrical		Cable Length From Device to Lamp	10 m
Input Voltage	208-240-277 V	Wire Striplength	10.0-11.0 mm
Input Frequency	50 to 60 Hz	Ballast Contact Wire Cross Section	0.50-2.50 mm <sup>2</sup>
Minimum Mains Voltage Operation (Min)	172 V	Connector Type	WAGO series 804
Operating Frequency (Nom)	0.40 kHz	System characteristics	
Power Factor 100% Load (Nom)	0.99	Rated Ballast-Lamp Power	150 W
Ignition Voltage (Max)	5 kV	Rated Lamp Power on Son	150 W
Ignition Switch-Off Time (Nom)	20 min	System Power on Son	160 W
Mains Voltage Performance (AC)	188-305V	Lamp Power on Son	147 W
Mains Voltage Safety (AC)	160-305V	Power Loss on Son	13 W
Earth Leakage Current (Max)	0.7 mA	Power Loss on Son While Dimming	6.5 W
Output Peak Voltage (Max)	250 V		

# PrimaVision Xtreme for SON

## Temperature

T-Ambient (Max)	55 °C
T-Ambient (Min)	-30 °C
T-Storage (Max)	55 °C
T-Storage (Min)	-30 °C
T-Case Lifetime (Nom)	80 °C
T-Case Switch Off (Min)	92 °C

## Controls and Dimming

Programmable Lamp Settings	None
Pre-Set Integrated Controls	None
Programmable Dimming Options	None
Control Input Protection	Yes (Basic insulation)
Regulating Level	-

## Mechanical and Housing

Housing	- [ Not Specified]
---------	--------------------

## Approval and Application

Surge Protection (Common/Differential)	EN61547 (L-L 2kV, L-G 4kV), 10 kV TIL
IP Classification Luminaire	34
Active Temperature Protection	Yes
EMI 9 kHz ... 300 MHz	CISPR 15 ed 7.2
EMI 30 MHz ... 1000 MHz	CISPR15 Edition 7.2
Safety Standard	IEC 607, 609, 926, 928 [ No Standard for HID Lamp drivers exists. Requirements in

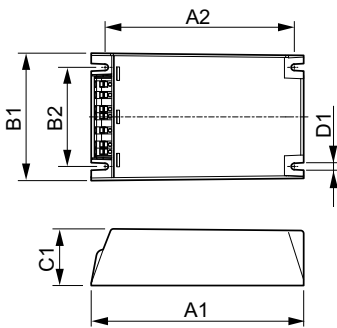
these standards to be used if considered relevant for the product.]

Quality Standard	ISO 9000:2000
Environmental Standard	ISO 14001
Harmonic Current Emission Standard	IEC 61000-3-2
Vibration Standard	IEC 68-2-6 Fc (10-150Hz, 2G)
Bumps Standard	IEC 68-2-29 Eb (10G/16ms)
Humidity Standard	EN 61347-2-12 clause 11
Approval Marks	F-Marking CE marking ENEC certificate VDE-EMV certificate
Hum And Noise Level	< 30 dB(A)

## Product Data

Full product code	871829169882100
Order product name	PV Xt Q 150W SON
EAN/UPC - Product	8718291698821
Order code	913700690766
Numerator - Quantity Per Pack	1
Numerator - Packs per outer box	12
Material Nr. (12NC)	913700690766
Net Weight (Piece)	0.820 kg

## Dimensional drawing



HID-PV Xt 150 SON 208-277V

Product	D1	C1	A1	A2	B1	B2
PV Xt Q 150W SON	4.5 mm	40.0 mm	150.0 mm	133.6 mm	90.0 mm	70.0 mm

## PrimaVision Xtreme for SON

