



HF-Regulator Intelligent Touch DALI for TL5/TL-D/PL-L lamps

HF-Ri TD 2 28/35/49/54 TL5 E+ 195-240V

This intelligent high-frequency electronic dimming ballast utilizes the DALI or Touch and Dim push-button protocol for fluorescent lamps. It meets A1BAT requirements, thereby pre-empting upcoming legislation. With a special command you can retrieve the system's mains power consumption, and with another you can find out which lamp wattage is connected. Combined with controls, additional energy savings can be achieved.

Product data

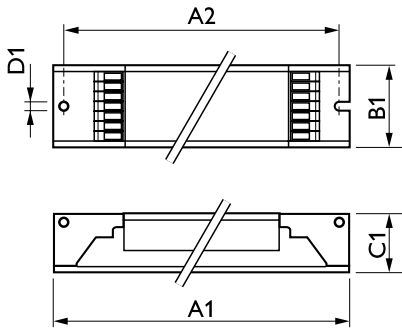
Operating and Electrical		Wiring	
Input Voltage	195-240 V	Connector type input terminals	WAGO 251 universal connector [Suitable for both automatic wiring (ALF and ADS) and manual wiring]
Line Frequency	50 to 60 Hz	Connector type output terminals	WAGO 251 universal connector [Suitable for both automatic wiring (ALF and ADS) and manual wiring]
Input frequency	50 to 60 Hz		
Earth leakage current (max.)	0.5 mA		
Inrush current width	0.25 ms		
Inrush current peak (max.)	28 A		
Number of products on MCB (16 A type B) (nom.)	18		
		Temperature	
		Ambient temperature range	-25°C to 50°C
		T case lifetime (max.)	75 °C
		T-Case maximum (max.)	75 °C

HF-Regulator Intelligent Touch DALI for TL5/TL-D/PL-L lamps

Controls and Dimming	
Control interface	TD
Mechanical and Housing	
Housing	L 359x30x21
Approval and Application	
Ingress protection code	IP20 [Finger-protected]
Energy efficiency index	A1 BAT
Safety standard	IEC 61347-2-3
Environmental standard	ISO 14001
Approval marks	CE marking ENEC certificate VDE-EMV certificate

Product Data	
Order product name	HF-Ri TD 2 28/35/49/54 TL5 E+ 195-240V
Full product name	HF-Ri TD 2 28/35/49/54 TL5 E+ 195-240V
Full EOC	871829166209900
Order code	66209900
Material no. (12 NC)	913700695866
Local order code	HFRITD22854T5PL
SAP numerator – quantity per pack	1
EAN/UPC – Product/Case	8718291662099
Numerator – packs per outer box	12
EAN/UPC - Case	8718291662105

Dimensional drawing



Product	D1	C1	A1	A2	B1
HF-Ri TD 2 28/35/49/54 TL5 E+ 195-240V	4.1 mm	22.0 mm	360.0 mm	350.0 mm	30.0 mm

