

PHILIPS

Lighting



HF-Regulator Intelligent Touch DALI for PL-T/C and TL5C

HF-Ri TD 160 TL5C E+ 195-240V 50/60Hz

Intelligent high-frequency electronic dimming ballast, using DALI (Digital Addressable Lighting Interface according to IEC62386) or Touch and Dim push-button protocol for fluorescent lamps. Features Corridor Mode, programmable with Philips MultiOne. High-frequency operation improves light quality and lamp lifetime. Pre-empts upcoming legislation as it meets A1BAT requirements.

Product data

General Information			
Application code	E+	Ignition time (max.)	0.6 s
Type version	-	Mains voltage performance (AC)	176-275V
Lamp type	TL5C	Mains voltage safety (AC)	154-276V
Number of lamps	1 piece/unit	Earth leakage current (max.)	0.5 mA
Number of products on MCB (16 A type B) (nom.)	12	Inrush current width	0.35 ms
Automatic restart	Yes	Standby power consumption (max.)	0.27 W
Operating and Electrical		Ballast factor (nom.)	1
Input voltage	195-240 V	Power losses (nom.)	4.0 W
Input frequency	50 to 60 Hz	Inrush current peak (max.)	45 A
Operating frequency (max.)	66 kHz	Wiring	
Operating frequency (min.)	45 kHz	Connector type input terminals	WAGO 250 series
Ignition method	Warm Start	Cable capacity output wires mutual (max.)	150 pF
Crest factor (max.)	1.7	Connector type output terminals	WAGO 250 series
Power factor 100% load (nom.)	0.95	Connector type control input terminals	WAGO 250 series
		Wire strip length	8.0-9.0 mm
		Dual fixture master/slave	Yes [Master/Slave operation possible]

HF-Regulator Intelligent Touch DALI for PL-T/C and TL5C

Control input terminal cross section	0.50-1.50 mm ²
Input terminal cross section	0.50-1.50 mm ²
Output terminal cross section	0.50-1.50 mm ²
Auto Insert (ALF/ADS) Wire Cross Section	0.50-1.50 mm ²
Cable capacity output wires to earth (max.)	150 pF

System characteristics

Rated ballast-lamp power	60 W
Rated lamp power on TL5C	60 W
System power on TL5C	64 W
Power loss on TL5C	4 W
Lamp power on TL5C	60 W

Temperature

T ambient (max.)	50 °C
T ambient (min.)	-25 °C
T storage (max.)	80 °C
T storage (min.)	-40 °C
T case lifetime (max.)	75 °C
T-Case maximum (max.)	75 °C
Stable lamp operation temperature	15°C
T-Ignition (max.)	50 °C
T-Ignition (min.)	-25 °C

Controls and Dimming

Control interface	TD
Regulating level power	3%-100%
Control input protection	Yes (Basic insulation)

Mechanical and Housing

Housing	L 123x79x33
---------	-------------

Emergency Operation

Battery voltage lamp ignition	198-254 V
-------------------------------	-----------

Battery voltage lamp operation	176-275
--------------------------------	---------

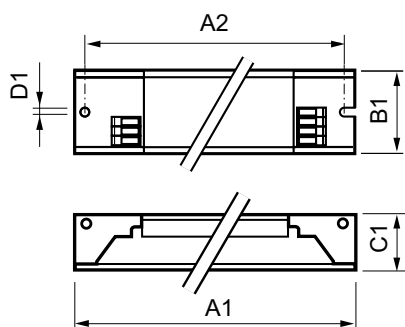
Approval and Application

Energy efficiency index	A1 BAT
IP classification	IP 20 [Ingress Protection 20]
EMI 9 kHz... 30 MHz	EN55015
Safety standard	IEC 61347-2-3
Performance standard	IEC 60929
Quality standard	Not Specified
Environmental standard	-
Harmonic current emission standard	Not Specified
EMC immunity standard	IEC 61547
Vibration standard	IEC68-2-6 F c
Bumps standard	IEC 68-2-29 Eb
Humidity standard	EN 61347-2-3 clause 11
Approval marks	EMC CE marking ENEC certificate
Temperature marking	Yes
Emergency standard	IEC 60598-2-22
Humming and noise level	24 dB(A)

Product Data

Full product code	871829171862800
Order product name	HF-Ri TD 160 TL5C E+ 195-240V 50/60Hz
EAN/UPC – product	8718291718628
Order code	71862800
Numerator – quantity per pack	1
Numerator – packs per outer box	12
Material no. (12NC)	913700761966
Net weight (piece)	0.200 kg

Dimensional drawing



HF-Ri TD 160 TL5C E+ 195-240V 50/60Hz

Product	A1	B1	C1	A2	B2	D1
HF-Ri TD 160 TL5C E+	123.0	79.0	33.0	111.0	67.0	4.5 mm
195-240V 50/60Hz	mm	mm	mm	mm	mm	

HF-Regulator Intelligent Touch DALI for PL-T/C and TL5C

