



Centium T8 Instant Start

Reliable and energy efficient Philips Advance's Centium commercial grade specifications, plus added benefits of lamp striation reduction technology.

Product data

General Information		Wire strip length	
Lamp type	F32T8	Wire strip length	0.50/0.375 mm
Number of lamps	2/3 piece/unit	Lamp connection	Parallel
Ballast type	Electronic Fluorescent	Wire length by colour	See data sheet
Base model	ICN3P32N	Wire gauge (nom.)	18AWG mm
Suitable for outdoor use	Yes	Wire type	Solid
Automatic restart	Yes	Remote wiring configuration allowed	Yes
		Tandem wiring configuration allowed	Yes
		Through-wiring configuration allowed	Yes
		Max. ballast-lamp distance remote wiring	ES = 6' / Standard = 20'
		Max. ballast-lamp distance tandem wiring	ES = 6' / Standard = 20'
		Max. ballast-lamp distance through-wiring	ES = 6' / Standard = 20'
		Connector type	No connector
Operating and Electrical		Temperature	
Input voltage	120 to 277 V	T-Case maximum (nom.)	70 °C
Input frequency	50 to 60 Hz		
Total harmonic distortion USA	10 %	Mechanical and Housing	
Ignition method	Instant Start	Housing material	Metal
Crest factor (nom.)	1.7	Housing	N
Ignition time (nom.)	0.1 s	Housing dimensions	9.5" x 1.3" x 1.0"
Ballast factor (nom.)	0.88		
Power factor (nom.)	0.98	Approval and Application	
Input current (max.)	0.71 A	EMC immunity standard	FCC Non-Consumer
Input current (min.)	0.31 A		
Input power (nom.)	85-86 W		
Rated lamp power	32 W		
Wiring			
Colour input terminals	No terminals		
Colour output terminals	No terminals		

Centium T8 Instant Start

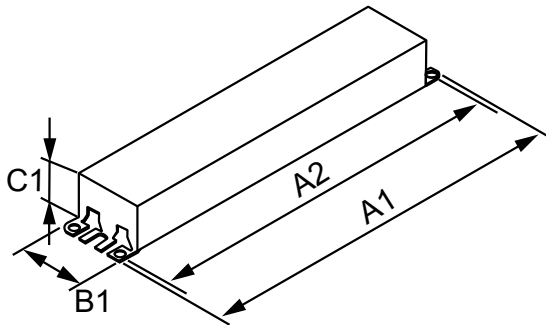
Approval marks	CSA certificate UL certificate CEC Listing
	CEE Rated NEMA Premium NOM certificate
	RoHS Compliant
Humming and noise level	A
UL recognised	No

Product Data

Order product name	CENTIUM ELE BALLAST (3) F32T8 120-277V
--------------------	--

EAN/UPC – product	781087091494
Numerator – quantity per pack	1
Numerator – packs per outer box	30
Material no. (12NC)	913701220202
Net weight (piece)	0.441 kg

Dimensional drawing



ELE BALLAST (3) 120-277V F32T8 120-277V

Product	A1	A2	B1	C1
CENTIUM ELE BALLAST (3) F32T8 120-277V	9.50 in	8.90 in	1.30 in	1.00 in

