



# Mark 7 0-10V

## MARK 7 0-10V ELE DIMMING BALLAST (2) F32T8 347V

The Mark 7 0-10V series of dimmable electronic ballasts offer maximum versatility by incorporating separate control leads for use with a wide array of controllers, including occupancy sensors, daylight harvesting controls, and building management systems from more than 40 manufacturers. When paired with linear fluorescent and 4-pin compact fluorescent lamps, these ballasts optimize the benefits of such popular sustainable lighting techniques as daylight harvesting, occupancy sensing, and load shedding to satisfy the need for an affordable, flexible and versatile controllable lighting solution.

### Product data

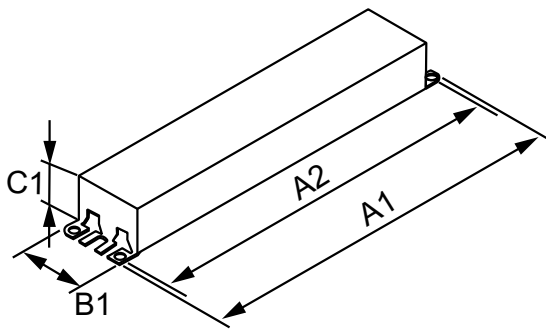
General Information			
Lamp Type	F32T8	Input Current (Nom)	0.18 A
Number of Lamps	2 piece/unit	Input Power (Max)	61 W
Ballast Type	Dimmable Fluorescent	Input Power (Min)	15 W
Base Model	GZT2S32SC	Rated Lamp Power	32 W
Suitable For Outdoor Use	Yes		
Automatic Restart	Yes		
Operating and Electrical		Wiring	
Input Voltage	347 V	Color Input Terminals	No terminals
Input Frequency	50 to 60 Hz	Color Output Terminals	No terminals
Total Harmonic Distortion USA	10 %	Wire Striplength	0.50/0.375 mm
Ignition Method	Programmed Start	Control Wire Gauge	18AWG
Crestfactor (Nom)	1.7	Lamp Connection	Series
Ignition Time (Nom)	1.5 s	Wire Length by Color	See data sheet
Ballast Factor (Max)	0.9	Wire Gauge (Nom)	18AWG mm
Ballast Factor (Min)	0.05	Wire Type	Solid
Power Factor (Nom)	0.98	Remote Wiring Configuration Allowed	Yes
		Tandem Wiring Configuration Allowed	Yes
		Through Wiring Configuration Allowed	Yes
		Max Ballast-Lamp Distance Remote Wiring	6'

## Mark 7 0-10V

Max Ballast-Lamp Distance Tandem Wiring Any = 6'	
Max Ballast-Lamp Distance Through Wiring Any = 6'	
Connector Type	No connector
<b>Temperature</b>	
T-Case Maximum (Nom)	70 °C
<b>Mechanical and Housing</b>	
Housing Material	Metal
Housing	SC
Housing Dimensions	9.5" x 1.7" x 1.18"
<b>Approval and Application</b>	
EMC Immunity Standard	FCC Consumer
Approval Marks	CSA certificate UL certificate CEE Rated NEMA Premium RoHS Compliant

Hum And Noise Level	A
UL Recognized	No
<b>Product Data</b>	
Order product name	MARK 7 0-10V ELE DIMMING BALLAST (2) F32T8 347V
EAN/UPC - Product	781087109670
Order code	913701234002
Numerator - Quantity Per Pack	1
Numerator - Packs per outer box	20
Material Nr. (12NC)	913701234002
Net Weight (Piece)	454.000 g

### Dimensional drawing



ELE DIMMING BALLAST (2) F32T8 347V

Product	A1	A2	B1	C1
MARK 7 0-10V ELE DIMMING BALLAST (2) F32T8 347V	9.5 in	8.90 in	1.7 in	1.18 in

