



Optanium Step Dim

OPTANIUM ELE BALLAST (2) F32T8 120-277V

Philips Advance Optanium ballasts with step-dim capability for T5 and T8 fluorescent lamps represent an affordable, energy-efficient, and versatile lighting solution designed to meet energy codes such as California’s Title 24 and ASHRAE 90.1-2010 that require end users to reduce lighting power consumption by 50%. Operating from any line voltage switching device, the ballast’s programmed-start circuitry provides extended lamp life in frequent switching applications like those associated with the use of occupancy sensors or motion detectors making this product the sustainable choice for many commercial applications.

Product data

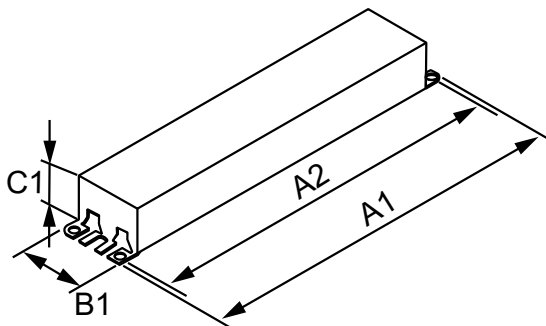
General Information		Input Power (Nom)	
Lamp Type	F32T8		56-56 W
Number of Lamps	2 piece/unit	Rated Lamp Power	32 W
Ballast Type	Electronic Fluorescent	Wiring	
Base Model	IOP2S32SCSD	Color Input Terminals	No terminals
Suitable For Outdoor Use	Yes	Color Output Terminals	No terminals
Automatic Restart	Yes	Wire Striplength	0.50/0.375 mm
Operating and Electrical		Lamp Connection	Series
Input Voltage	120 to 277 V	Wire Length by Color	See data sheet
Input Frequency	50 to 60 Hz	Wire Gauge (Nom)	18AWG mm
Total Harmonic Distortion USA	10 %	Wire Type	Solid
Ignition Method	Programmed Start	Remote Wiring Configuration Allowed	Yes
Crestfactor (Nom)	1.6	Tandem Wiring Configuration Allowed	Yes
Ignition Time (Nom)	1.5 s	Through Wiring Configuration Allowed	Yes
Ballast Factor (Nom)	0.87	Max Ballast-Lamp Distance Remote Wiring	7'
Power Factor (Nom)	0.98	Max Ballast-Lamp Distance Tandem Wiring	Any = 7'
Input Current (Max)	0.47 A	Max Ballast-Lamp Distance Through Wiring	Any = 7'
Input Current (Min)	0.21 A	Connector Type	No connector

Optanium Step Dim

Temperature	
T-Case Maximum (Nom)	70 °C
Mechanical and Housing	
Housing Material	Metal
Housing	SC
Housing Dimensions	9.5" x 1.7" x 1.18"
Approval and Application	
EMC Immunity Standard	FCC Non-Consumer
Approval Marks	CSA certificate UL certificate CEC Listing CEE Rated CSA E NEMA Premium RoHS Compliant
Hum And Noise Level	A

UL Recognized	No
Product Data	
Order product name	OPTANIUM ELE BALLAST (2) F32T8 120-277V
EAN/UPC - Product	781087131169
Order code	913701252402
Numerator - Quantity Per Pack	1
Numerator - Packs per outer box	20
Material Nr. (12NC)	913701252402
Net Weight (Piece)	441.000 g

Dimensional drawing



ELE BALLAST (2) F32T8 120-277V

Product	A1	A2	B1	C1
OPTANIUM ELE BALLAST (2) F32T8 120-277V	9.5 in	8.90 in	1.7 in	1.18 in

