



Optanium T8 Instant Start

Reliable and energy efficient Philips Advance's Centium commercial grade specifications, plus added benefits of lamp striation reduction technology.

Product data

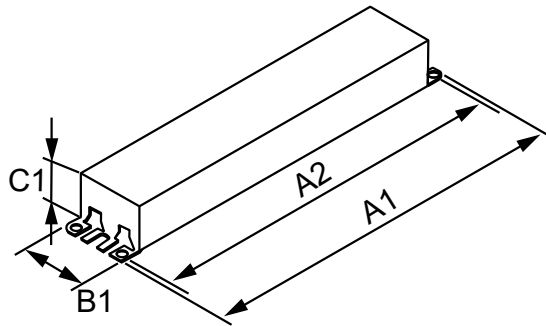
General Information		Wire strip length	
Lamp type	F32T8	Wire strip length	0.50/0.375 mm
Number of lamps	3/4 piece/unit	Lamp connection	Parallel
Ballast type	Electronic Fluorescent	Wire length by colour	See data sheet
Base model	IOP4P32HLSC	Wire gauge (nom.)	18AWG mm
Suitable for outdoor use	Yes	Wire type	Solid
Automatic restart	Yes	Remote wiring configuration allowed	Yes
Operating and Electrical		Tandem wiring configuration allowed	Yes
Input voltage	120 to 277 V	Through-wiring configuration allowed	Yes
Input frequency	50 to 60 Hz	Max. ballast-lamp distance remote wiring	ES = 6' / Standard = 20'
Total harmonic distortion USA	10 %	Max. ballast-lamp distance tandem wiring	ES = 6' / Standard = 20'
Ignition method	Instant Start	Max. ballast-lamp distance through-wiring	ES = 6' / Standard = 20'
Crest factor (nom.)	1.6	Connector type	No connector
Ignition time (nom.)	0.1 s	Temperature	
Ballast factor (nom.)	0.89	T-Case maximum (nom.)	70 °C
Power factor (nom.)	0.98	Mechanical and Housing	
Input current (max.)	0.54 A	Housing material	Metal
Input current (min.)	1.26 A	Housing	SC
Input power (nom.)	147-145 W	Housing dimensions	9.5" x 1.3" x 1.0"
Rated lamp power	32 W	Approval and Application	
Wiring		EMC immunity standard	FCC Non-Consumer
Colour input terminals	No terminals	Approval marks	CSA certificate UL certificate CEC Listing CEE Rated NEMA Premium RoHS Compliant
Colour output terminals	No terminals		

Optanium T8 Instant Start

Humming and noise level	A
UL recognised	No
Product Data	
Order product name	OPTANIUM ELE BALLAST (4) F32T8 120-277V
EAN/UPC – product	781087133224

Numerator – quantity per pack	1
Numerator – packs per outer box	20
Material no. (12NC)	913701255202
Net weight (piece)	441.000 g

Dimensional drawing



ELE BALLAST (4) F32T8 120-277V

Product	A1	A2	B1	C1
OPTANIUM ELE BALLAST (4) F32T8 120-277V	9.50 in	8.90 in	1.30 in	1.00 in

