



Mark 7 0-10V

MARK 7 0-10V ELE DIMMING BALLAST(3)F32T8 120-277V

The Mark 7 0-10V series of dimmable electronic ballasts offer maximum versatility by incorporating separate control leads for use with a wide array of controllers, including occupancy sensors, daylight harvesting controls, and building management systems from more than 40 manufacturers. When paired with linear fluorescent and 4-pin compact fluorescent lamps, these ballasts optimize the benefits of such popular sustainable lighting techniques as daylight harvesting, occupancy sensing, and load shedding to satisfy the need for an affordable, flexible and versatile controllable lighting solution.

Product data

General Information			
Lamp Type	F32T8	Input Current (Operating) (Max)	0.79 A
Number of Lamps	3 piece/unit	Input Current (Operating) (Min)	0.33 A
Ballast Type	Dimmable Fluorescent	Input Current (Operating) (Nom)	- A
Base Model	IZT3PSP32SC	Input Power (Max)	94 W
Suitable For Outdoor Use	Yes	Input Power (Min)	16 W
Automatic Restart	Yes	Rated Lamp Watts	32 W
Operating and Electrical		Wiring	
Input Voltage	120 to 277 V	Color Input Terminals	No terminals
Input Frequency	50 to 60 Hz	Color Output Terminals	No terminals
Max THD	10 %	Wire Striplength	0.50/0.375 mm
Starting Method	Programmed Start	Control Wire Gauge	18AWG
Lamp Current Crest Factor (Nom)	1.6	Lamp Connection	Series
Ignition Time (Nom)	1.5 s	Wire Length by Color	See Data Sheet
Ballast Factor (Max)	1.00	Wire Gauge (Nom)	18AWG mm
Ballast Factor (Min)	0.03	Wire Type	Solid
Power Factor (Nom)	0.99	Remote Wiring Configuration Allowed	No
		Tandem Wiring Configuration Allowed	No

Mark 7 0-10V

Through Wiring Configuration Allowed	No
Max Ballast-Lamp Distance Remote Wiring	No Remote
Max Ballast-Lamp Distance Tandem Wiring	No Tandem
Max Ballast-Lamp Distance Through Wiring	No Through
Connector Type	No connector

Temperature

T-Case Maximum (Nom)	70 °C
----------------------	-------

Mechanical and Housing

Housing Material	Metal
Housing	SC
Housing Dimensions	9.5" x 1.7" x 1.18"

Approval and Application

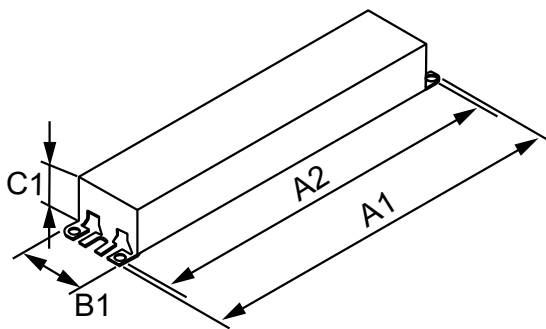
EMC Immunity Standard	FCC Consumer
-----------------------	--------------

Approbation Marks	UL certificate CEC Listing CEE Rated NEMA Premium RoHS Compliant CSA certificate
Sound Rating	A
UL Recognized	No

Product Data

Order product name	MARK 7 0-10V ELE DIMMING BALLAST(3)F32T8 120-277V
EAN/UPC - Product	781087135396
Order code	IZT3PSP32SC35I
Numerator - Quantity Per Pack	1
Numerator - Packs per outer box	10
Material Nr. (12NC)	913701261701
Net Weight (Piece)	441.000 g

Dimensional drawing



ELE DIMMING BALLAST (3) F32T8 120-277V

Product	A1	A2	B1	C1
MARK 7 0-10V ELE DIMMING BALLAST(3)F32T8 120-277V	9.50 in	8.90 in	1.70 in	1.18 in

