



Optanium T8 Instant Start

OPTANIUM ELE BALLAST (3) F32T8 120-277V

Reliable and energy efficient Philips Advance's Centium commercial grade specifications, plus added benefits of lamp striation reduction technology.

Product data

General Information	
Lamp Type	F32T8
Number of Lamps	2/3 piece/unit
Ballast Type	Electronic Fluorescent
Base Model	IOP3P32HL90CN
Suitable For Outdoor Use	Yes
Automatic Restart	Yes
Operating and Electrical	
Input Voltage	120 to 277 V
Input Frequency	50 to 60 Hz
Total Harmonic Distortion USA	10 %
Ignition Method	Instant Start
Crestfactor (Nom)	1.6
Ignition Time (Nom)	0.1 s
Ballast Factor (Nom)	1.18
Power Factor (Nom)	0.98
Input Current (Max)	0.92 A
Input Current (Min)	0.40 A
Input Power (Nom)	110-108 W
Rated Lamp Power	32 W

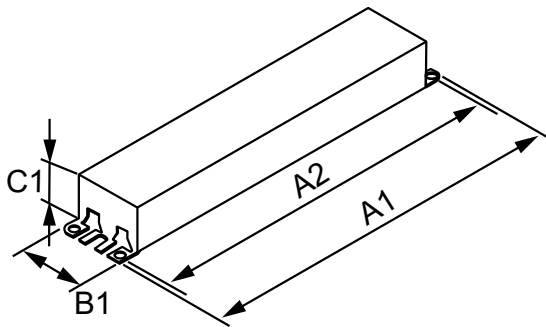
Wiring	
Color Input Terminals	No terminals
Color Output Terminals	No terminals
Wire Striplength	0.50/0.375 mm
Lamp Connection	Parallel
Wire Length by Color	See data sheet
Wire Gauge (Nom)	18AWG mm
Wire Type	Solid
Remote Wiring Configuration Allowed	Yes
Tandem Wiring Configuration Allowed	Yes
Through Wiring Configuration Allowed	Yes
Max Ballast-Lamp Distance Remote Wiring	ES = 6' / Standard = 20'
Max Ballast-Lamp Distance Tandem Wiring	ES = 6' / Standard = 20'
Max Ballast-Lamp Distance Through Wiring	ES = 6' / Standard = 20'
Connector Type	No connector
Temperature	
T-Case Maximum (Nom)	90 °C
Mechanical and Housing	
Housing Material	Metal
Housing	N

Optanium T8 Instant Start

Housing Dimensions	9.5" x 1.3" x 1.0"
Approval and Application	
EMC Immunity Standard	FCC Non-Consumer
Approval Marks	CSA certificate UL certificate CEC Listing CEE Rated Circle E logo DOE RoHS Compliant
Hum And Noise Level	A
UL Recognized	No
Product Data	
Order product name	OPTANIUM ELE BALLAST (3) F32T8 120-277V

EAN/UPC - Product	781087137178
Order code	913701264202
Numerator - Quantity Per Pack	1
Numerator - Packs per outer box	30
Material Nr. (12NC)	913701264202
Net Weight (Piece)	0.350 kg

Dimensional drawing



ELE BALLAST (3) F32T8 120-277V

Product	A1	A2	B1	C1
OPTANIUM ELE BALLAST (3) F32T8 120-277V	9.5 in	8.9 in	1.3 in	1.0 in

