



# EB-E Electronic ballasts for TL-D lamps (India)

## EBE 236 TLD 240

Compact, lightweight, high-frequency electronic ballast for TL-D lamps

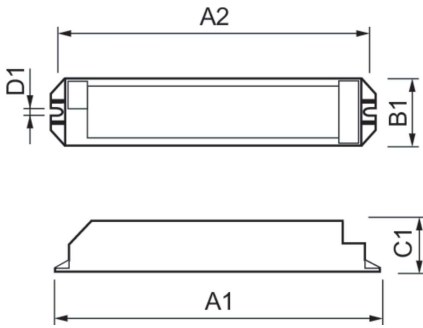
### Product data

Operating and Electrical	
Input Voltage	220 to 240 V
Line Frequency	50 to 60 Hz
Input Frequency	50 to 60 Hz
Wiring	
Connector Type Input Terminals	WAGO 251 universal connector [Suitable for both automatic wiring (ALF and ADS) and manual wiring]
Connector Type Output Terminals	WAGO 251 universal connector [Suitable for both automatic wiring (ALF and ADS) and manual wiring]
Temperature	
Ambient temperature range	0 °C to 50 °C
T-Case Maximum (Max)	65 °C
Approval and Application	
Energy Efficiency Index	Not specified

Safety Standard	- [Not specified]
Product Data	
Order product name	EBE 236 TLD 240
Full product name	EBE 236 TLD 240
Full product code	871150088486200
Order code	913702242112
Material Nr. (12NC)	913702242112
Numerator - Quantity Per Pack	1
EAN/UPC - Product/Case	8711500884862
Numerator - Packs per outer box	10
EAN/UPC - Case	8727900067880

## EB-E Electronic ballasts for TL-D lamps (India)

### Dimensional drawing



Product	D1	C1	A1	A2	B1
EBE 236 TLD 240	4.0 mm	30.0 mm	211.0 mm	200.0 mm	40.0 mm

