



# Dynalite Leading Edge Dimmers

## DDLE802

8 channel Leading Edge Dimmer Controller at 2 A per channel

The Philips Dynalite DDLE802 is an eight channel leading edge dimmer controller with a maximum load per channel of 2 A. - It is suitable for use with incandescent, low voltage, neon and selected fluorescent fixtures. - Optional manual override LED illuminated service switch Soft start and voltage regulation technologies Naturally ventilated Flexible mounting solution

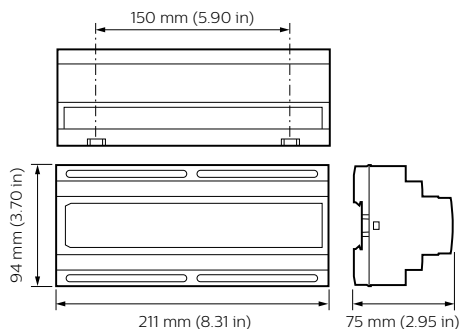
### 产品数据

基本資訊	
CE 標誌	CE
Remarks	Please download the Lighting - Product Data Sheet for more information and ordering options
RoHS 標誌	RoHS mark
適用條件	
環境溫度範圍	0 to +40 °C
產品參數	
完整產品碼	871016350500800

訂購產品名稱	DDLE802
EAN/UPC - 產品	8710163505008
訂購代碼	913703000009
分子 - 各件數量	1
分子 - 每一外盒內件數	1
材質編號(12NC)	913703000009
淨重 (件)	0.600 kg

## Dynalite Leading Edge Dimmers

### 二维绘图



Dynalite Leading Edge Dimmers

