



Dynalite Phase-Cut Dimmers

DLE1205

12 channel Leading Edge Dimmer Controller with a maximum load per channel of 5 A.

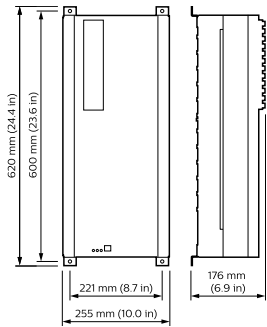
The Philips Dynalite DLE1205 is a 12 channel leading edge dimmer controller with a maximum load per channel of 5 A. - It is suitable for use with incandescent and neon light sources, as well as iron core and leading edge electronic transformers. - Fully rated device Interference suppression Naturally ventilated Soft start and voltage regulation technologies Diagnostic functionality User controls Options available

Product data

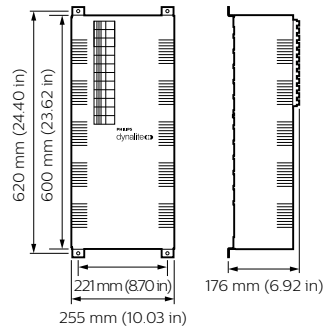
General Information		Order product name	DLE1205
CE mark	CE mark	EAN/UPC - Product	8710163505428
Remarks	Please download the Lighting - Product Data Sheet for more information and ordering options	Order code	913703010009
RoHS mark	RoHS mark	Numerator - Quantity Per Pack	1
		Numerator - Packs per outer box	1
		Material Nr. (12NC)	913703010009
		Net Weight (Piece)	13.200 kg
Application Conditions			
Ambient temperature range	0 to +40 °C		
Product Data			
Full product code	871016350542800		

Dynalite Phase-Cut Dimmers

Dimensional drawing



Dynalite Leading Edge Dimmers



Dynalite Leading Edge Dimmers

