



# Dynalite Sensors

## DUS90AHB-DALI

Aisleway high bay DALI network sensor

Aisleway high bay DALI network sensor

### Product data

General Information	
CE mark	CE mark
Remarks	Please download the Lighting - Product Data Sheet for more information and ordering options
RoHS mark	RoHS mark
Product Family Code	YSENSO [Sensors]

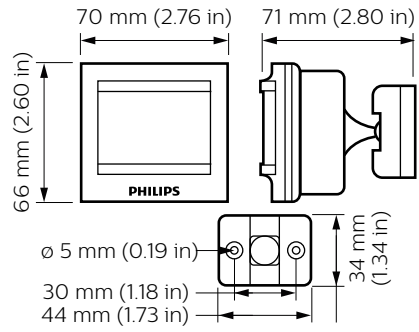
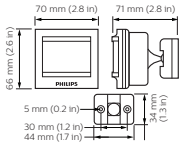
Application Conditions	
Ambient temperature range	-5 to +50 °C

Product Data	
Full product code	871869600510100

Order product name	DUS90AHB-DALI
EAN/UPC – product	8718696005101
Order code	00510100
Local Code	DUS90-AHB
Numerator – quantity per pack	1
Numerator – packs per outer box	1
Material no. (12NC)	913703015409
Net weight (piece)	75.000 g

# Dynalite Sensors

## Dimensional drawing



Dynalite Sensors

Dynalite Sensors

