



Dynalite Sensors

DUS90WHB-DALI

Wide angle DALI network sensor

Wide angle DALI network sensor

Product data

General Information	
CE mark	CE mark
Remarks	Please download the Lighting - Product Data Sheet for more information and ordering options
RoHS mark	RoHS mark
Kode keluarga produk	YSENSO [Sensors]

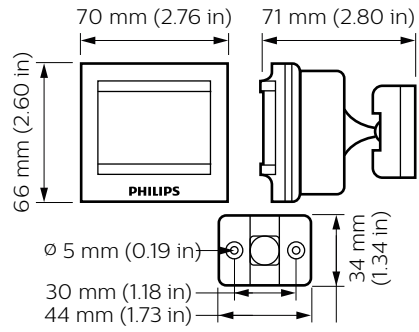
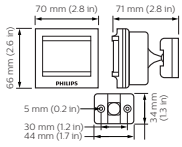
Application Conditions	
Ambient temperature range	-5 to +50 °C

Product Data	
Full product code	871869600511800

Order product name	DUS90WHB-DALI
EAN/UPC – product	8718696005118
Order code	913703015509
Numerator – quantity per pack	1
Numerator – packs per outer box	1
Material no. (12NC)	913703015509
Net weight (piece)	75.000 g

Dynalite Sensors

Dimensional drawing



Dynalite Sensors

Dynalite Sensors

