



Dynalite Signal Dimmer Controllers

DDBC320-DALI

3 DALI outputs, up to 192 DALI devices including 3 x 20 A feed-through switched circuits for DALI driver mains supply.

3 DALI outputs, up to 192 DALI devices including 3 x 20 A feed-through switched circuits for DALI driver mains supply.

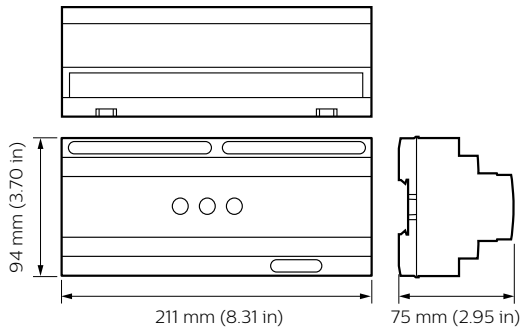
Product data

General Information	
CE mark	CE mark
Remarks	Please download the Lighting - Product Data Sheet for more information and ordering options
RoHS mark	RoHS mark
Kode keluarga produk	YHFCON [HF Ballast Controllers]
Application Conditions	
Ambient temperature range	0 to +40 °C
Product Data	
Full product code	871016350642500

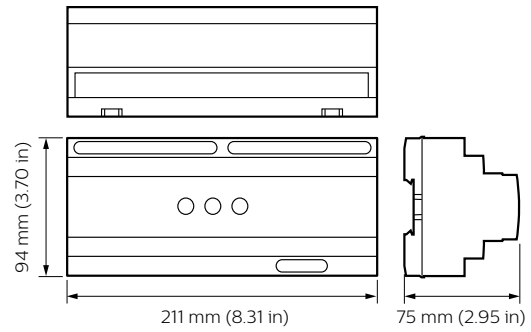
Order product name	DDBC320-DALI
EAN/UPC – product	8710163506425
Order code	913703031209
Numerator – quantity per pack	1
Numerator – packs per outer box	1
Material no. (I2NC)	913703031209
Net weight (piece)	0.410 kg

Dynalite Signal Dimmer Controllers

Dimensional drawing



Dynalite Signal Dimmer Controllers



Dynalite Signal Dimmer Controllers

