



Dynalite Signal Dimmer Controllers

DDBC320-DALI

3 DALI outputs, up to 192 DALI devices including 3 x 20 A feed-through switched circuits for DALI driver mains supply.

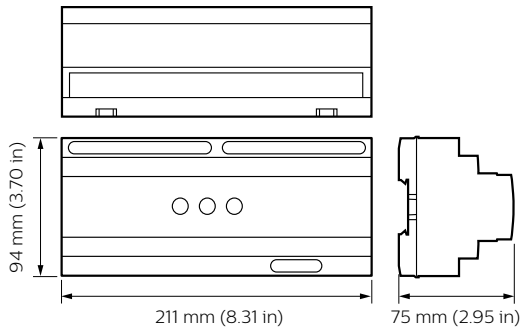
3 DALI outputs, up to 192 DALI devices including 3 x 20 A feed-through switched circuits for DALI driver mains supply.

Product data

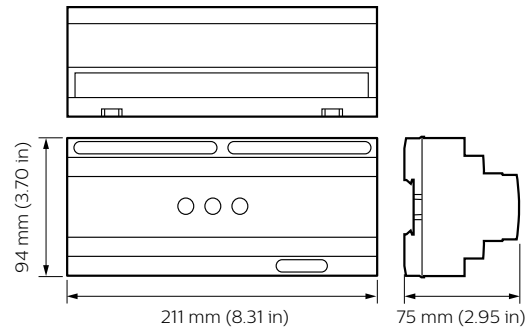
General Information		Order product name	
CE mark	CE mark	DDBC320-DALI	
Remarks	Please download the Lighting - Product Data Sheet for more information and ordering options	EAN/UPC - Product	8710163506425
RoHS mark	RoHS mark	Order code	913703031209
Application Conditions		Numerator - Quantity Per Pack	1
Ambient temperature range	0 to +40 °C	Numerator - Packs per outer box	1
		Material Nr. (12NC)	913703031209
Product Data		Net Weight (Piece)	0.410 kg
Full product code	871016350642500		

Dynalite Signal Dimmer Controllers

Dimensional drawing



Dynalite Signal Dimmer Controllers



Dynalite Signal Dimmer Controllers

