



Dynalite Signal Dimmer Controllers

DDBC516FR

5 channels - selectable to DALI broadcast; DALI addressed (max. 10 DALI loads/channel); 1-10V (max 10 mA Sink or Source/channel or; DSI (max. 5 DSI loads/channel).

5 channels - selectable to DALI broadcast; DALI addressed (max. 10 DALI loads/channel); 1-10V (max 10 mA Sink or Source/channel or; DSI (max. 5 DSI loads/channel).

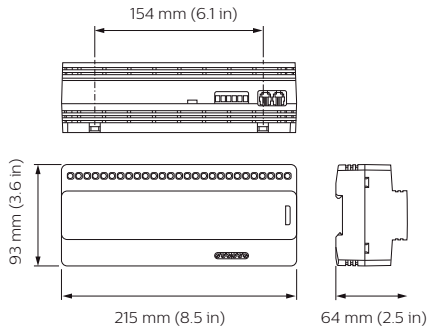
Product data

General Information	
CE mark	CE mark
Remarks	Please download the Lighting - Product Data Sheet for more information and ordering options
RoHS mark	RoHS mark
Application Conditions	
Ambient temperature range	0 to +40 °C
Product Data	
Full product code	871016352310100

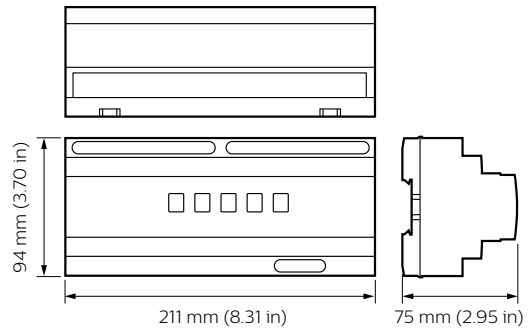
Order product name	DDBC516FR
EAN/UPC – product	8710163523101
Order code	52310100
Numerator – quantity per pack	1
Numerator – packs per outer box	1
Material no. (12NC)	913703031509
Net weight (piece)	0.330 kg

Dynalite Signal Dimmer Controllers

Dimensional drawing



Dynalite Signal Dimmer Controllers



Dynalite Signal Dimmer Controllers

