



Dynalite Signal Dimmer Controllers

DDBC516FR

5 channels - selectable to DALI broadcast; DALI addressed (max. 10 DALI loads/channel); 1-10V (max 10 mA Sink or Source/channel or; DSI (max. 5 DSI loads/channel).

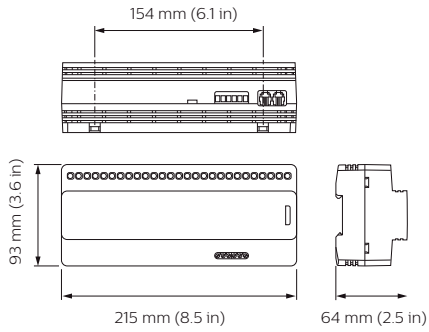
5 channels - selectable to DALI broadcast; DALI addressed (max. 10 DALI loads/channel); 1-10V (max 10 mA Sink or Source/channel or; DSI (max. 5 DSI loads/channel).

Product data

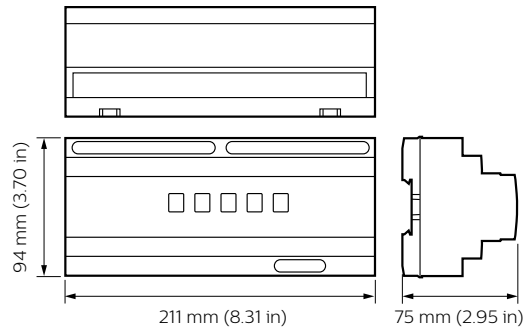
General Information		Order product name	
CE mark	CE mark	DDBC516FR	
Remarks	Please download the Lighting - Product Data Sheet for more information and ordering options	EAN/UPC – product	8710163523101
RoHS mark	RoHS mark	Order code	913703031509
		Numerator – quantity per pack	1
		Numerator – packs per outer box	1
		Material no. (12NC)	913703031509
		Net weight (piece)	0.330 kg
Application Conditions			
Ambient temperature range	0 to +40 °C		
Product Data			
Full product code	871016352310100		

Dynalite Signal Dimmer Controllers

Dimensional drawing



Dynalite Signal Dimmer Controllers



Dynalite Signal Dimmer Controllers

