



Dynalite Signal Dimmer Controllers

DDBC1200

DALI Broadcast, 0-10 V or DSI.

DALI Broadcast, 0-10 V or DSI.

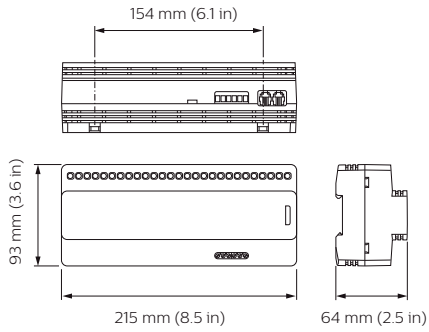
Product data

General Information	
CE mark	CE mark
Remarks	Please download the Lighting - Product Data Sheet for more information and ordering options
RoHS mark	RoHS mark
Application Conditions	
Ambient temperature range	0 to +40 °C
Product Data	
Full product code	871869600687000

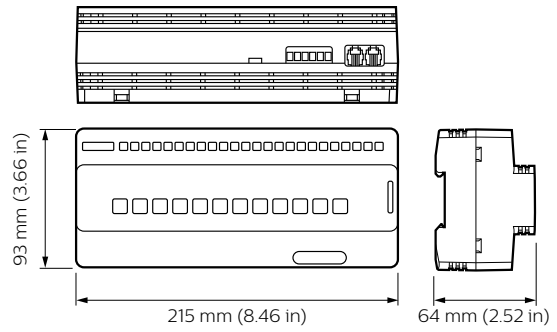
Order product name	DDBC1200
EAN/UPC – product	8718696006870
Order code	913703035109
Numerator – quantity per pack	1
Numerator – packs per outer box	1
Material no. (12NC)	913703035109
Net weight (piece)	485.000 g

Dynalite Signal Dimmer Controllers

Dimensional drawing



Dynalite Signal Dimmer Controllers



Dynalite Signal Dimmer Controllers

