



# Dynalite Relay Controllers

## DDRC810DT-GL

8 channel Relay Controller for any switched load up to 10A per channel, with a maximum box load of 40A.

8 channel Relay Controller for any switched load up to 10A per channel, with a maximum box load of 40A.

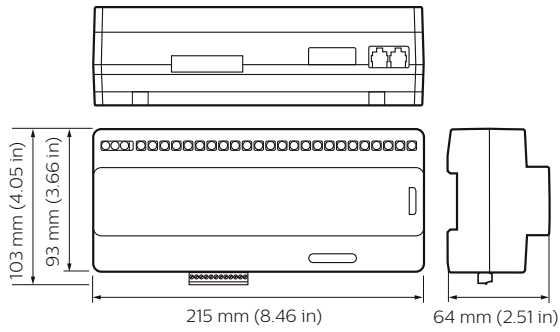
### Product data

General Information	
CE mark	CE mark
Remarks	Please download the Lighting - Product Data Sheet for more information and ordering options
RoHS mark	RoHS mark
Application Conditions	
Ambient temperature range	0 to +50 °C
Product Data	
Full product code	871869600688700

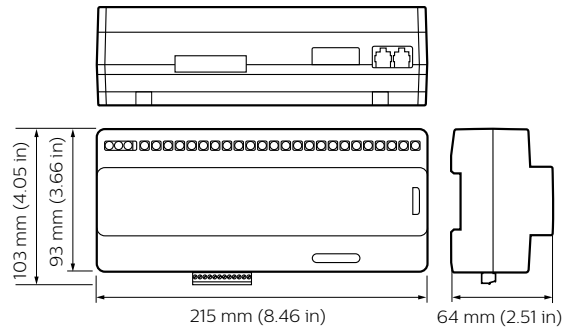
Order product name	DDRC810DT-GL
EAN/UPC – product	8718696006887
Order code	00688700
Numerator – quantity per pack	1
Numerator – packs per outer box	1
Material no. (I2NC)	913703035209
Net weight (piece)	490.000 g

# Dynalite Relay Controllers

## Dimensional drawing



Dynalite Relay Controllers



Dynalite Relay Controllers

