



# Dynalite Relay Controllers

## DDRC810DT-GL

8 channel Relay Controller for any switched load up to 10A per channel, with a maximum box load of 40A.

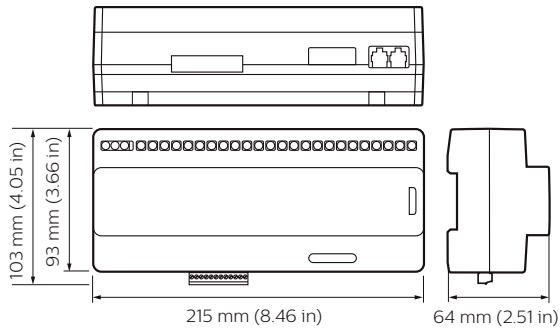
8 channel Relay Controller for any switched load up to 10A per channel, with a maximum box load of 40A.

### Product data

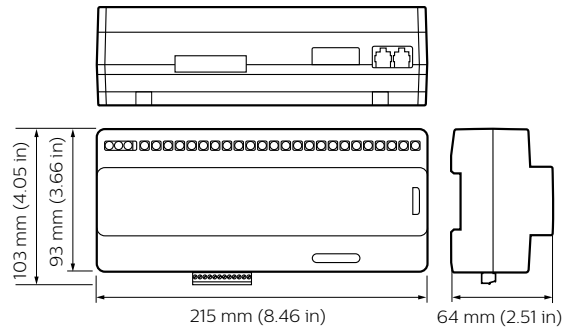
| General Information       |   | Order product name              |               |
|---------------------------|---|---------------------------------|---------------|
| CE mark                   | CE mark   | Order product name              | DDRC810DT-GL  |
| Remarks                   | Please download the Lighting - Product Data Sheet for more information and ordering options | EAN/UPC – product               | 8718696006887 |
| RoHS mark                 | RoHS mark   | Order code                      | 913703035209  |
| Application Conditions    |   | Numerator – quantity per pack   | 1             |
| Ambient temperature range | 0 to +50 °C   | Numerator – packs per outer box | 1             |
| Product Data              |   | Material no. (12NC)             | 913703035209  |
| Full product code         | 871869600688700   | Net weight (piece)              | 490.000 g     |

# Dynalite Relay Controllers

## Dimensional drawing



Dynalite Relay Controllers



Dynalite Relay Controllers

