



# Dynalite Relay Controllers

## DMRC210

2 channel compact Relay Controller

2 channel compact Relay Controller

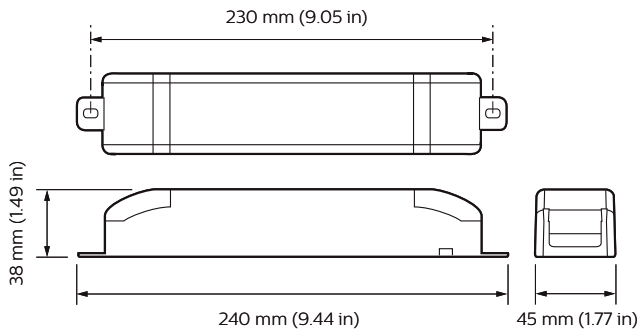
### Product data

General Information	
CE mark	CE mark
Remarks	Please download the Lighting - Product Data Sheet for more information and ordering options
RoHS mark	RoHS mark
Application Conditions	
Ambient temperature range	0 to +50 °C
Product Data	
Full product code	871016350688300

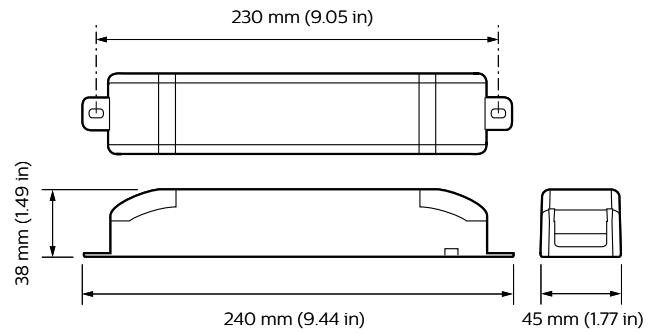
Order product name	DMRC210
EAN/UPC – product	8710163506883
Order code	913703050009
Numerator – quantity per pack	1
Numerator – packs per outer box	1
Material no. (12NC)	913703050009
Net weight (piece)	0.700 kg

# Dynalite Relay Controllers

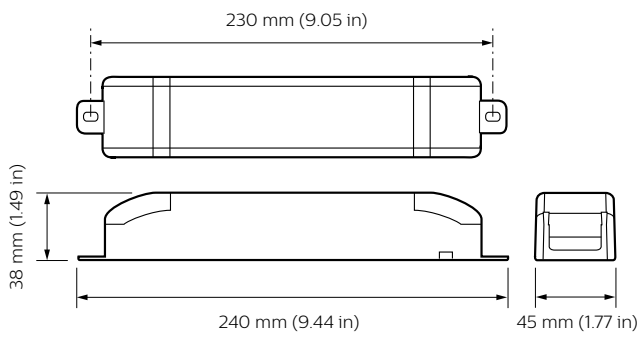
## Dimensional drawing



Dynalite Relay Controllers



Dynalite Relay Controllers



Dynalite Relay Controllers

