



# Dynalite Relay Controllers

## DMRC210DA-RJ12

2 channel compact Relay Controller for use with the DUS804C-RJDA occupancy sensor.

2 channel compact Relay Controller for use with the DUS804C-RJDA occupancy sensor.

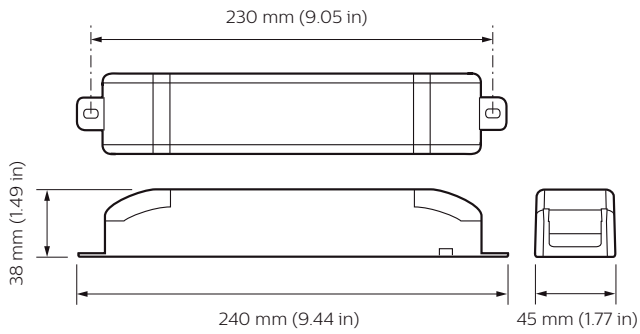
### Product data

General Information	
CE mark	CE mark
Remarks	Please download the Lighting - Product Data Sheet for more information and ordering options
RoHS mark	RoHS mark
Application Conditions	
Ambient temperature range	0 to +50 °C
Product Data	
Full product code	871016352252400

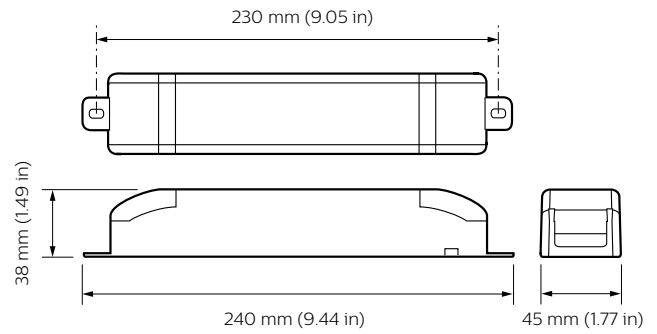
Order product name	DMRC210DA-RJ12
EAN/UPC - Product	8710163522524
Order code	913703050109
Numerator - Quantity Per Pack	1
Numerator - Packs per outer box	1
Material Nr. (12NC)	913703050109
Net Weight (Piece)	188.000 g

# Dynalite Relay Controllers

## Dimensional drawing



Dynalite Relay Controllers



Dynalite Relay Controllers

