



Dynalite Network Accessories

DMAL120F-V2

Active Load to improve dimming performance and reduce lamp flicker

Active Load to improve dimming performance and reduce lamp flicker

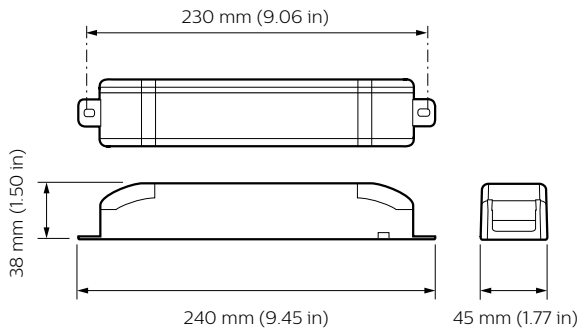
Product data

General Information	
CE mark	CE mark
Remarks	Please download the Lighting - Product Data Sheet for more information and ordering options
RoHS mark	RoHS mark
Application Conditions	
Ambient temperature range	-0 to +60 °C
Product Data	
Full product code	871869600143100

Order product name	DMAL120F
EAN/UPC – product	8718696001431
Order code	00143100
Numerator – quantity per pack	1
Numerator – packs per outer box	1
Material no. (12NC)	913703061609
Net weight (piece)	118.000 g

Dynalite Network Accessories

Dimensional drawing



Dynalite Network Accessories

