



Dynalite Network Devices

DMAL120F V2

Active Load to improve dimming performance and reduce lamp flicker

Active Load to improve dimming performance and reduce lamp flicker

Product data

General Information

CE mark	CE mark
Remarks	Please download the Lighting - Product Data Sheet for more information and ordering options
RoHS mark	RoHS mark

Application Conditions

Ambient temperature range	0 to +60 °C
---------------------------	-------------

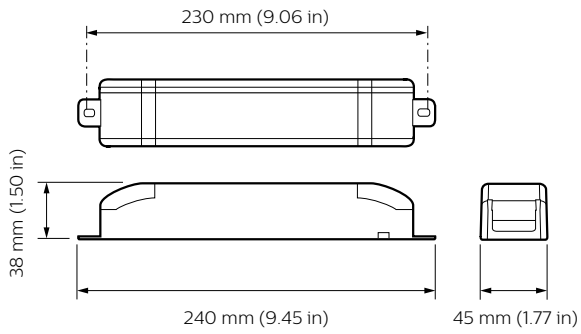
Product Data

Full product code	871869600143100
-------------------	-----------------

Order product name	DMAL120F V2
EAN/UPC - Product	8718696001431
Order code	913703061609
Numerator - Quantity Per Pack	1
Numerator - Packs per outer box	1
Material Nr. (12NC)	913703061609
Net Weight (Piece)	118.000 g

Dynalite Network Devices

Dimensional drawing



Dynalite Network Accessories

