



Dynalite Sensors

DUS804CS-UP

Surface mount ceiling sensor with ultrasonic capability

Surface mount ceiling sensor with ultrasonic capability

Product data

General Information	
CE mark	CE mark
Remarks	Please download the Lighting - Product Data Sheet for more information and ordering options
RoHS mark	RoHS mark

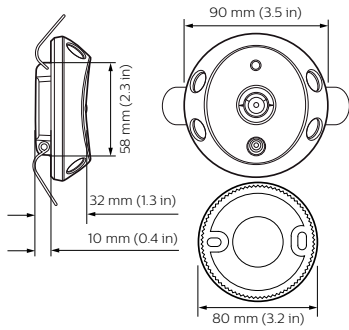
Application Conditions	
Ambient temperature range	0 to +45 °C

Product Data	
Full product code	871016352202900

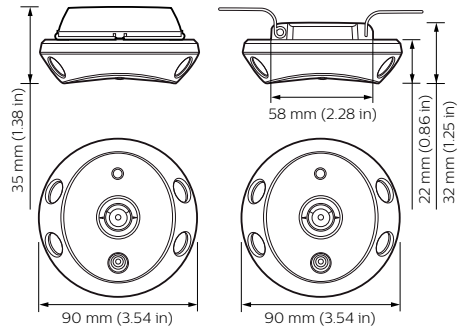
Order product name	DUS804CS-UP
EAN/UPC - Product	8710163522029
Order code	913703070409
Numerator - Quantity Per Pack	1
Numerator - Packs per outer box	1
Material Nr. (12NC)	913703070409
Net Weight (Piece)	83.500 g

Dynalite Sensors

Dimensional drawing



Dynalite Sensors



Dynalite Sensors

