



# Dynalite Sensors

## DUS804CS-UP

Surface mount ceiling sensor with ultrasonic capability

Surface mount ceiling sensor with ultrasonic capability

### Product data

| General Information |   |
|---------------------|---|
| CE mark             | CE mark   |
| Remarks             | Please download the Lighting - Product Data Sheet for more information and ordering options |
| RoHS mark           | RoHS mark   |

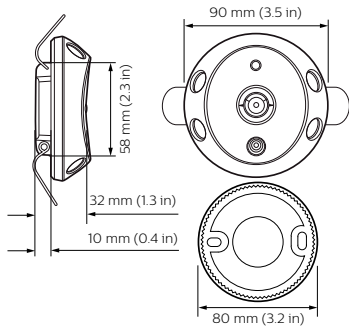
| Application Conditions    |             |
|---------------------------|-------------|
| Ambient temperature range | 0 to +45 °C |

| Product Data      |                 |
|-------------------|-----------------|
| Full product code | 871016352202900 |

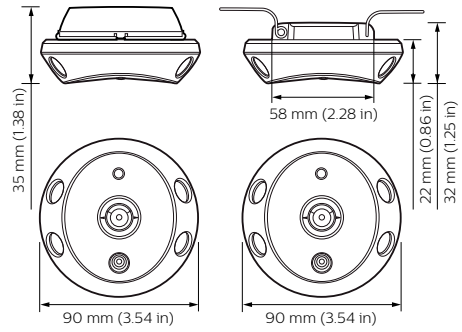
|                                 |               |
|---------------------------------|---------------|
| Order product name              | DUS804CS-UP   |
| EAN/UPC - Product               | 8710163522029 |
| Order code                      | 913703070409  |
| Numerator - Quantity Per Pack   | 1             |
| Numerator - Packs per outer box | 1             |
| Material Nr. (12NC)             | 913703070409  |
| Net Weight (Piece)              | 83.500 g      |

# Dynalite Sensors

## Dimensional drawing



Dynalite Sensors



Dynalite Sensors

