



Dynalite User Interface

DTP100

A feature-rich color LCD touchscreen

A feature-rich color LCD touchscreen

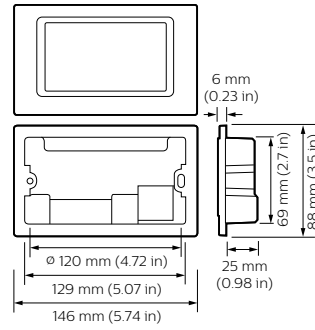
Product data

General Information	
CE mark	CE mark
Remarks	Please download the Lighting - Product Data Sheet for more information and ordering options
RoHS mark	RoHS mark
Application Conditions	
Ambient temperature range	0 to +45 °C
Product Data	
Full product code	871016350744600

Order product name	DTP100
EAN/UPC – product	8710163507446
Order code	50744600
Numerator – quantity per pack	1
Numerator – packs per outer box	1
Material no. (12NC)	913703074509
Net weight (piece)	0.290 kg

Dynalite User Interface

Dimensional drawing



Dynalite Touch Screens

Dynalite Touch Screens

