



Dynalite System Integration

DMNG232

RS232 network gateway provides cost-effective serial port integration between a DyNet network and thirdparty systems.

RS232 network gateway provides cost-effective serial port integration between a DyNet network and thirdparty systems.

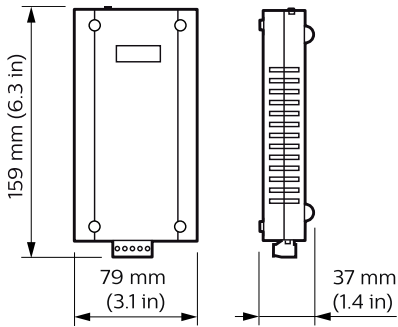
Product data

General Information	
CE mark	CE mark
Remarks	Please download the Lighting - Product Data Sheet for more information and ordering options
RoHS mark	RoHS mark
Application Conditions	
Ambient temperature range	0 to +50 °C
Product Data	
Full product code	871016350778100

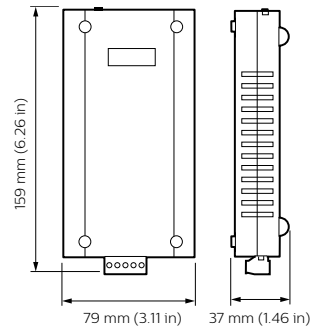
Order product name	DMNG232
EAN/UPC – product	8710163507781
Order code	50778100
Numerator – quantity per pack	1
Numerator – packs per outer box	1
Material no. (12NC)	913703080309
Net weight (piece)	0.250 kg

Dynalite System Integration

Dimensional drawing



Dynalite System Integration



Dynalite System Integration

