



Dynalite Integration Devices

DMNG232

RS232 network gateway provides cost-effective serial port integration between a DyNet network and thirdparty systems.

RS232 network gateway provides cost-effective serial port integration between a DyNet network and thirdparty systems.

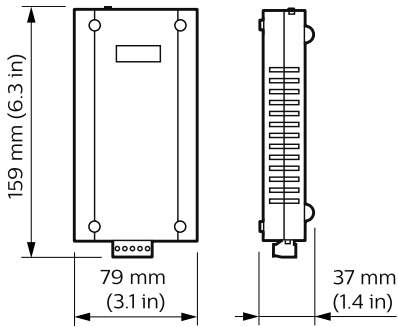
Product data

General Information	
CE mark	CE mark
Remarks	Please download the Lighting - Product Data Sheet for more information and ordering options
RoHS mark	RoHS mark
Application Conditions	
Ambient temperature range	0 to +50 °C
Product Data	
Full product code	871016350778100

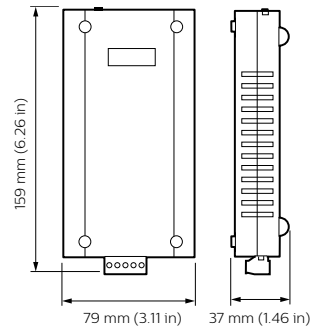
Order product name	DMNG232
EAN/UPC - Product	8710163507781
Order code	913703080309
Numerator - Quantity Per Pack	1
Numerator - Packs per outer box	1
Material Nr. (12NC)	913703080309
Net Weight (Piece)	0.250 kg

Dynalite Integration Devices

Dimensional drawing



Dynalite System Integration



Dynalite System Integration

