



Dynalite Integration Devices

DDNGKNX

KNX Network Gateway providing high level KNX integration

KNX Network Gateway providing high level KNX integration

Product data

| General Information | |
|----------------------|---|
| CE mark | CE mark |
| Remarks | Please download the Lighting - Product Data Sheet for more information and ordering options |
| RoHS mark | RoHS mark |
| Kode keluarga produk | YSYSIN [System Integration] |
| Product Data | |
| Full product code | 871016352342200 |

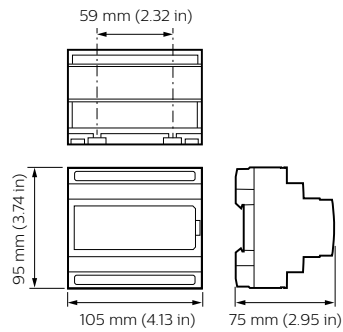
| | |
|---------------------------------|---------------|
| Order product name | DDNGKNX |
| EAN/UPC – product | 8710163523422 |
| Order code | 913703080509 |
| Numerator – quantity per pack | 1 |
| Numerator – packs per outer box | 1 |
| Material no. (12NC) | 913703080509 |
| Net weight (piece) | 0.150 kg |

Dynalite Integration Devices

Dimensional drawing



Dynalite System Integration



Dynalite System Integration

