



Dynalite System Integration

DDNGKNX

KNX Network Gateway providing high level KNX integration

KNX Network Gateway providing high level KNX integration

Product data

General Information	
CE mark	CE mark
Remarks	Please download the Lighting - Product Data Sheet for more information and ordering options
RoHS mark	RoHS mark
Product Data	
Full product code	871016352342200
Order product name	DDNGKNX

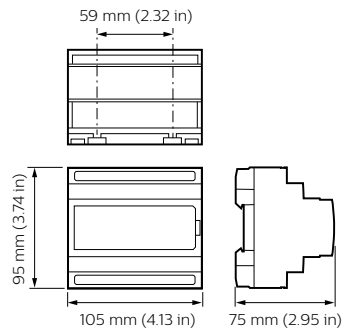
EAN/UPC – product	8710163523422
Order code	913703080509
Numerator – quantity per pack	1
Numerator – packs per outer box	1
Material no. (12NC)	913703080509
Net weight (piece)	0.150 kg

Dynalite System Integration

Dimensional drawing



Dynalite System Integration



Dynalite System Integration

